

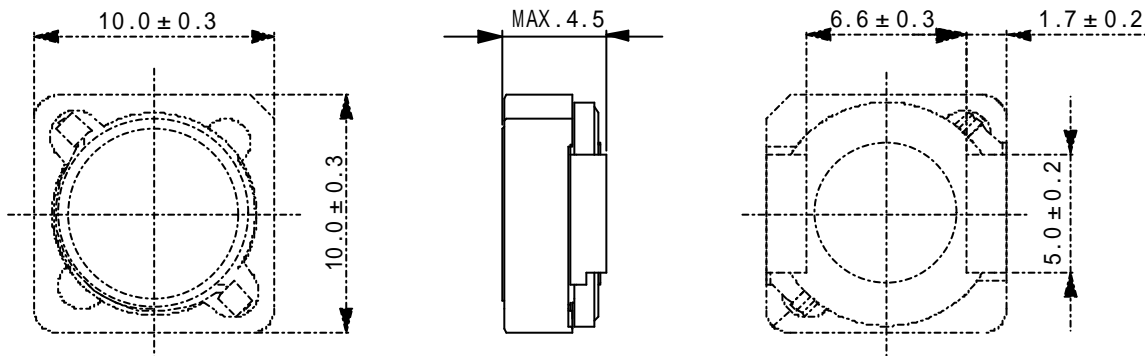
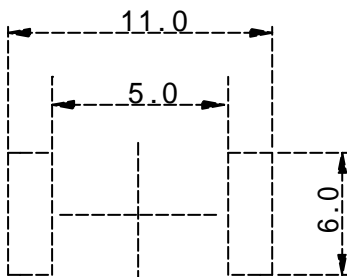
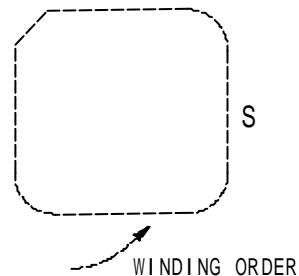
Type: CDRH10D43F

**Sample submission is forbidden,  
Transferred to CDRH10D43R**
**Product Description**

- 10× 10mm Max.(L× W), 4.5mm Max. Height.
- Inductance range: 1.0~ 33.0 μ H
- Rated current range: 2.1~ 10A


**Feature**

- Magnetically shielded construction.
- Flat Wire used, Low Heating Loss Type.
- Ideally used in Notebook PC, Game machine, DSC/DVC, DVD, LCD TV, STB etc as DC-DC Converter inductors.
- RoHS Compliance.

**Dimensions (mm)**

**Land Pattern (mm)**

**Schematics (Bottom)**


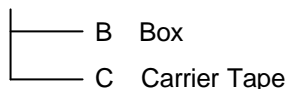
Type: CDRH10D43F

## Specification

Part Name	Stamp	Inductance ( $\mu\text{H}$ ) [ Within ] 100kHz/1V	D.C.R. (m $\Omega$ ) Max.(Typ.) (at 20 $^{\circ}\text{C}$ )	Saturation Current (A) 1		Temperature rise current (A) 2
				(at 20 $^{\circ}\text{C}$ )	(at 100 $^{\circ}\text{C}$ )	
CDRH10D43FNP-1R0N	1R0N	1.0 $\pm$ 30%	6.0 ( 5.0 )	12.8	12.0	10.0
CDRH10D43FNP-1R7M	1R7M	1.7 $\pm$ 20%	7.0 ( 5.8 )	10.4	8.8	9.0
CDRH10D43FNP-2R6M	2R6M	2.6 $\pm$ 20%	9.4 ( 8.0 )	8.4	7.6	7.6
CDRH10D43FNP-3R6M	3R6M	3.6 $\pm$ 20%	11.0 ( 9.4 )	7.2	6.5	7.0
CDRH10D43FNP-4R7M	4R7M	4.7 $\pm$ 20%	15.8 ( 13.2 )	6.3	5.6	5.7
CDRH10D43FNP-6R4M	6R4M	6.4 $\pm$ 20%	21.0 ( 17.2 )	5.5	4.8	5.0
CDRH10D43FNP-7R2M	7R2M	7.2 $\pm$ 20%	23.3 ( 19.6 )	5.1	4.5	4.7
CDRH10D43FNP-100M	100M	10.0 $\pm$ 20%	29.4 ( 24.5 )	4.3	3.7	4.2
CDRH10D43FNP-150M	150M	15.0 $\pm$ 20%	49.1 ( 41.2 )	3.5	3.2	3.1
CDRH10D43FNP-220M	220M	22.0 $\pm$ 20%	70.2 ( 58.7 )	2.9	2.6	2.7
CDRH10D43FNP-270M	270M	27.0 $\pm$ 20%	94.6 ( 79.0 )	2.6	2.2	2.3
CDRH10D43FNP-330M	330M	33.0 $\pm$ 20%	105.6 ( 88.0 )	2.4	2.0	2.1

## Description Of Part Name

CDRH10D43FNP-1R0N



1. Saturation current: The DC current at which the inductance decreases to 75% of it's nominal value.
2. Temperature rise current: The of DC current at which the temperature rise is  $t = 40$  ( $T_a = 20$  ).