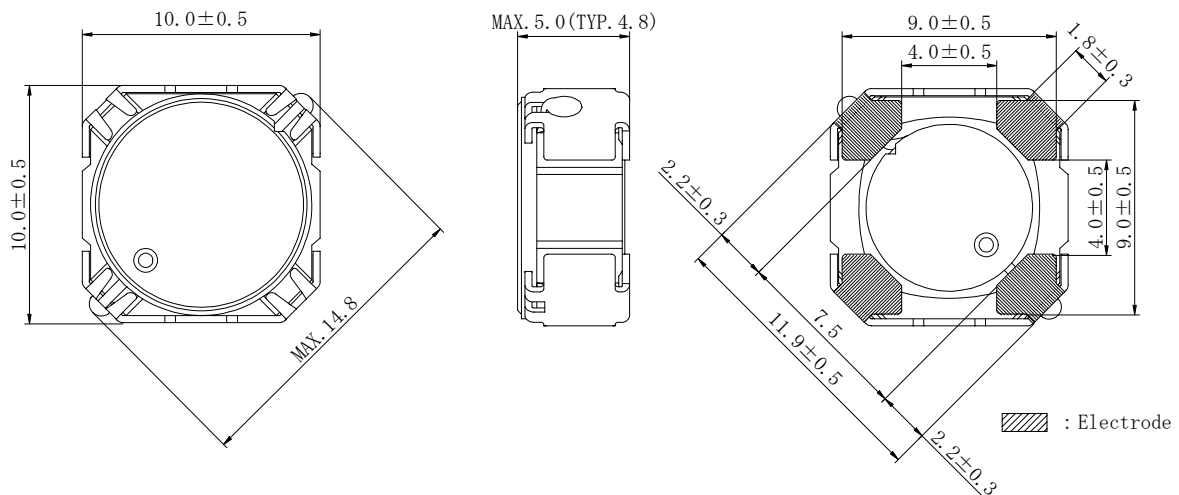
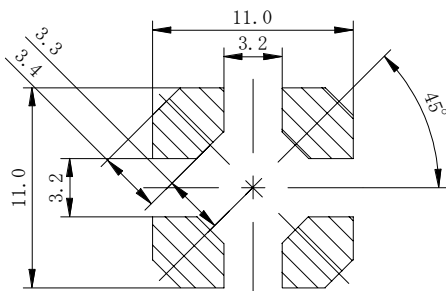
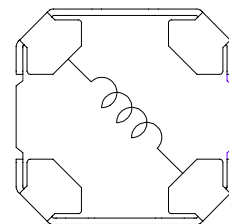


Type: CDRH10D48/A
◆ Product Description

- 10.5×10.5mm Max.(L×W),5.0 mm Max. Height.
- Inductance range: 2.4~330 μ H
- Rated current range: 0.49~5.2A.
- In addition to the standards versions shown here, custom inductors are also available to meet your exact requirements.


◆ Feature

- Magnetically shielded construction.
- High reliable inductors, suitable to use in high temperature environment(125°C) .
- Ideally for automotive applications as DC-DC converter inductors.
- RoHS Compliance

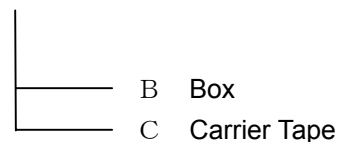
◆ Dimensions (mm)

◆ Land Pattern (mm)

◆ Schematics(Bottom)


Type: CDRH10D48/A
◆ Specification

Part Name ※	Stamp	Inductance [Within] 100kHz/1V	D.C.R.(mΩ) Max.(Typ.) (at 20°C)	Rated current (A)(at 125°C) ※1
CDRH10D48/ANP-2R4M□	2R4	2.4 μ H±20%	12(9)	5.2
CDRH10D48/ANP-3R4M□	3R4	3.4 μ H±20%	13(10)	4.8
CDRH10D48/ANP-4R3M□	4R3	4.3 μ H±20%	15(12)	4.3
CDRH10D48/ANP-5R8M□	5R8	5.8 μ H±20%	24(19)	3.8
CDRH10D48/ANP-7R2M□	7R2	7.2 μ H±20%	29(23)	2.9
CDRH10D48/ANP-8R7M□	8R7	8.7 μ H±20%	37(29)	2.7
CDRH10D48/ANP-100M□	100	10 μ H±20%	40(32)	2.6
CDRH10D48/ANP-120M□	120	12 μ H±20%	44(35)	2.5
CDRH10D48/ANP-150M□	150	15 μ H±20%	49(39)	2.3
CDRH10D48/ANP-180M□	180	18 μ H±20%	62(49)	2.2
CDRH10D48/ANP-220M□	220	22 μ H±20%	70(56)	1.9
CDRH10D48/ANP-270M□	270	27 μ H±20%	90(72)	1.7
CDRH10D48/ANP-330M□	330	33 μ H±20%	113(90)	1.5
CDRH10D48/ANP-390M□	390	39 μ H±20%	127(101)	1.4
CDRH10D48/ANP-470M□	470	47 μ H±20%	138(110)	1.3
CDRH10D48/ANP-560M□	560	56 μ H±20%	172(137)	1.2
CDRH10D48/ANP-680M□	680	68 μ H±20%	209(167)	1.1
CDRH10D48/ANP-820M□	820	82 μ H±20%	268(214)	0.97
CDRH10D48/ANP-101M□	101	100 μ H±20%	294(235)	0.92
CDRH10D48/ANP-121M□	121	120 μ H±20%	374(299)	0.82
CDRH10D48/ANP-151M□	151	150 μ H±20%	437(349)	0.77
CDRH10D48/ANP-181M□	181	180 μ H±20%	558(446)	0.65
CDRH10D48/ANP-221M□	221	220 μ H±20%	637(509)	0.61
CDRH10D48/ANP-271M□	271	270 μ H±20%	839(671)	0.53
CDRH10D48/ANP-331M□	331	330 μ H±20%	938(750)	0.49

※ Description of part name

C D R H 1 0 D 4 8 / A N P - 2 R 4 M □



※1 Rated current: The DC current at which the inductance decreases to 65 % of its nominal value or when $\Delta t=30^{\circ}\text{C}$, whichever is lower ($T_a=125^{\circ}\text{C}$).