

Type: CDRH10D68/A

Product Description

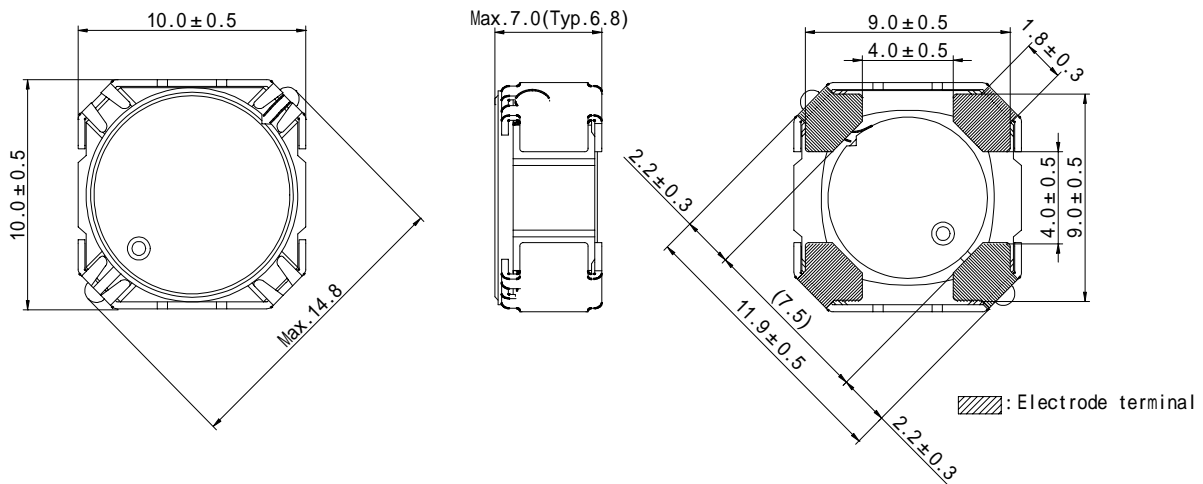
- 10.5x10.5mm Max. (LxW), 7.0 mm Max. Height.
- Inductance Range: 10 ~ 560 μ H
- Rated current range: 0.4 ~ 3.05A.
- In addition to the standards versions shown here, custom inductors are also available to meet your exact requirements.



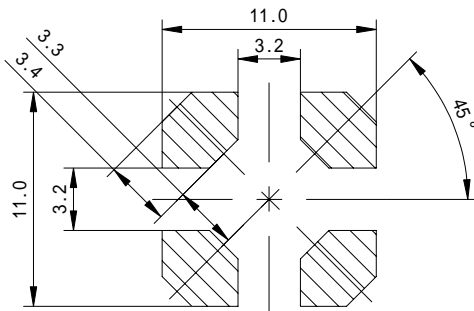
Feature

- Magnetically shielded construction.
- High reliable inductors, suitable to use in high temperature environment(125)
- Ideally for automotive applications as DC-DC converter inductors.
- RoHS Compliance

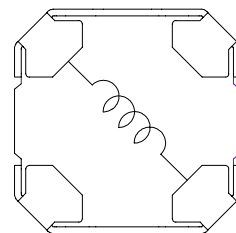
Dimensions (mm)



Land Pattern (mm)



Schematics(Bottom)

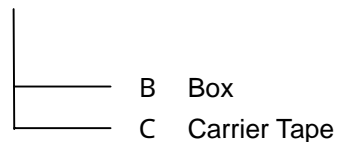


Type: CDRH10D68/A
Specification

Part Name	Stamp	Inductance [Within] 100kHz/1V	D.C.R.(m Ω) Max.(Typ.) (at 20 °C)	Rated current (A)(at 125 °C) 1
CDRH10D68/ANP-100M	100	10 μH±20%	26.3(21)	3.05
CDRH10D68/ANP-120M	120	12 μH±20%	28.8(23)	2.80
CDRH10D68/ANP-150M	150	15 μH±20%	35.0(28)	2.55
CDRH10D68/ANP-180M	180	18 μH±20%	37.5(30)	2.42
CDRH10D68/ANP-220M	220	22 μH±20%	51.3(41)	2.05
CDRH10D68/ANP-270M	270	27 μH±20%	63.8(51)	1.90
CDRH10D68/ANP-330M	330	33 μH±20%	80.0(64)	1.68
CDRH10D68/ANP-390M	390	39 μH±20%	100(80)	1.50
CDRH10D68/ANP-470M	470	47 μH±20%	125(100)	1.32
CDRH10D68/ANP-560M	560	56 μH±20%	156(125)	1.24
CDRH10D68/ANP-680M	680	68 μH±20%	191(153)	1.12
CDRH10D68/ANP-820M	820	82 μH±20%	215(172)	1.03
CDRH10D68/ANP-101M	101	100 μH±20%	250(200)	0.92
CDRH10D68/ANP-121M	121	120 μH±20%	273(218)	0.88
CDRH10D68/ANP-151M	151	150 μH±20%	359(287)	0.77
CDRH10D68/ANP-181M	181	180 μH±20%	463(370)	0.70
CDRH10D68/ANP-221M	221	220 μH±20%	590(472)	0.63
CDRH10D68/ANP-271M	271	270 μH±20%	674(539)	0.58
CDRH10D68/ANP-331M	331	330 μH±20%	740(592)	0.52
CDRH10D68/ANP-391M	391	390 μH±20%	986(789)	0.47
CDRH10D68/ANP-471M	471	470 μH±20%	1105(884)	0.45
CDRH10D68/ANP-561M	561	560 μH±20%	1206(965)	0.40

Description of part name

C D R H 1 0 D 6 8 / A N P - 1 0 0 M



1 Rated current: The DC current at which the inductance decreases to 65 % of it's nominal value or when $t = 30$ s, whichever is lower ($T_a = 125$ °C).