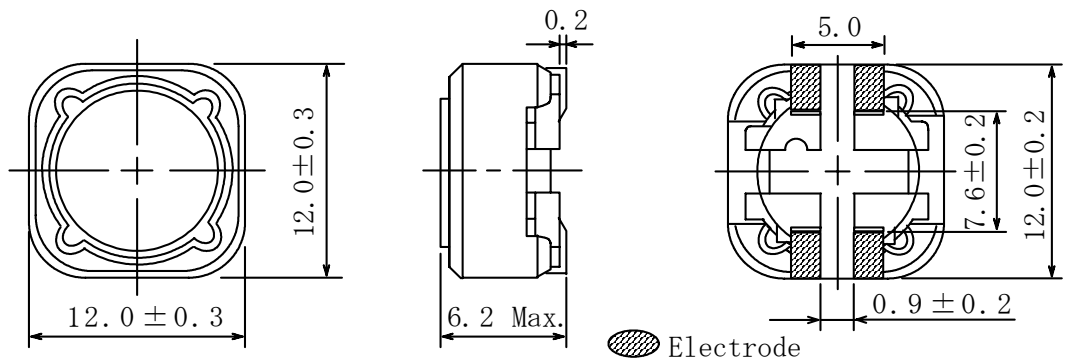
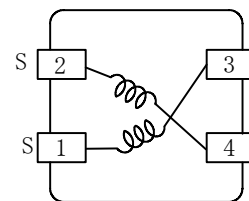


Type: CDRH125B
◆ Product Description

- 12.3×12.3mm Max.(L×W), 6.2mm Max. Height.
- Reference Inductance:22 μ H;
- Reference Rated current:2.3A.
- In addition to the standard versions of inductors shown here, custom inductors are available to meet your exact requirements.

◆ Feature

- Magnetically shielded construction.
- 4 Terminal pins' type gives a flexible design as inductors or transformers(SEPIC,ZETA circuit,etc).
- Ideally used in power supplies' module and portable devices such as Notebook PC,DSC/DVC,PDA, etc as DC-DC Converter inductors.
- RoHS Compliance.

◆ Dimensions (mm)

◆ Land Pattern (mm)
◆ Schematics (Bottom)


“ S ” is winding start.

◆ Specification

		Measuring conditions
Inductance	(2-4)	22μH±30% Within
Inductance	(1-3)	22μH Ref.
D.C.R.	(1-3)	107mΩ Max. (79mΩ Typ.)
Rated current	(2-4) ※	2.3A
Rated current	(1-3) ※	2.3A

※ This indicates the DC current at which the inductance decreases to 75% of its nominal value or D.C. current at which $\Delta t=40^{\circ}\text{C}$, whichever is lower($T_a=20^{\circ}\text{C}$).