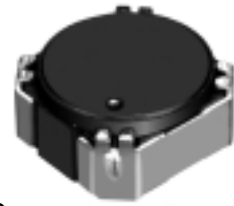
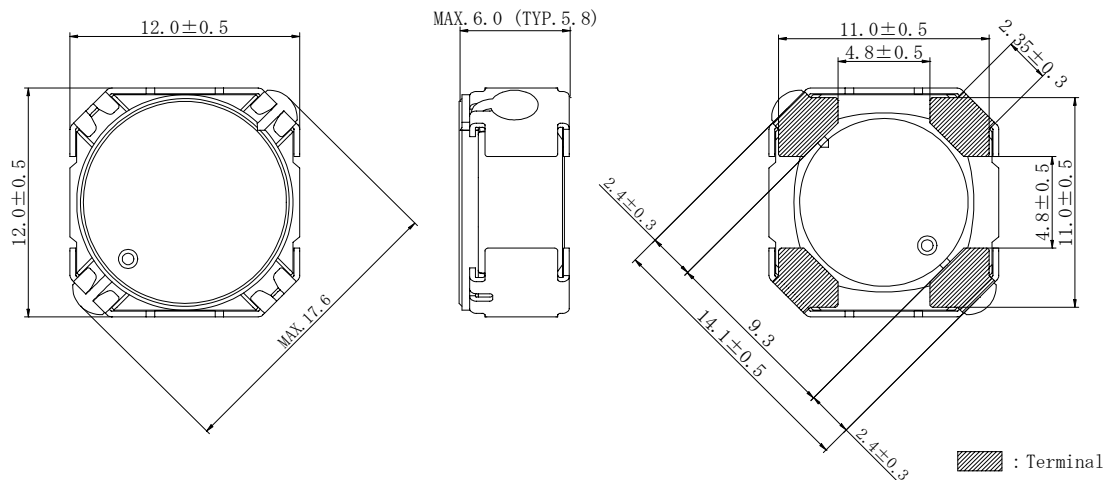
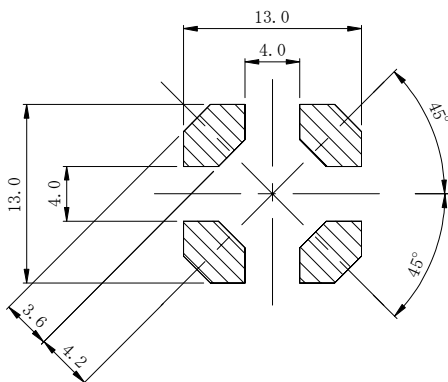
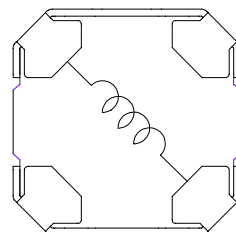


Type: CDRH12D58/A
◆ Product Description

- 12.5×12.5mm Max. (L×W), 6.0 mm Max. Height.
- Inductance range: 10~390μH
- Rated current range: 0.63~3.8A.
- In addition to the standards versions shown here, custom inductors are also available to meet your exact requirements.


◆ Feature

- Magnetically shielded construction.
- High reliable inductors, suitable to use in high temperature environment(125°C).
- Ideally for automotive applications as converter inductors.
- RoHS Compliance.

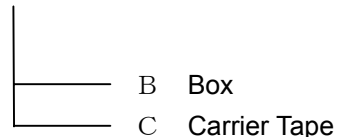
◆ Dimensions (mm)

◆ Land Pattern (mm)

◆ Schematics(Bottom)


Type: CDRH12D58/A
◆ Specification

Part Name ※	Stamp	Inductance [Within] 100kHz/1V	D.C.R.(mΩ) Max.(Typ.) (at 20°C)	Rated current (A)(at 125°C) ※1
CDRH12D58/ANP-100M□	100M	10 μ H±20%	22(17)	3.8
CDRH12D58/ANP-120M□	120M	12 μ H±20%	24(19)	3.7
CDRH12D58/ANP-150M□	150M	15 μ H±20%	29(23)	3.1
CDRH12D58/ANP-180M□	180M	18 μ H±20%	38(30)	2.9
CDRH12D58/ANP-220M□	220M	22 μ H±20%	42(33)	2.7
CDRH12D58/ANP-270M□	270M	27 μ H±20%	57(45)	2.4
CDRH12D58/ANP-330M□	330M	33 μ H±20%	60(48)	2.2
CDRH12D58/ANP-390M□	390M	39 μ H±20%	88(70)	1.9
CDRH12D58/ANP-470M□	470M	47 μ H±20%	98(78)	1.8
CDRH12D58/ANP-560M□	560M	56 μ H±20%	108(86)	1.7
CDRH12D58/ANP-680M□	680M	68 μ H±20%	118(94)	1.6
CDRH12D58/ANP-820M□	820M	82 μ H±20%	175(140)	1.4
CDRH12D58/ANP-101M□	101M	100 μ H±20%	223(178)	1.3
CDRH12D58/ANP-121M□	121M	120 μ H±20%	247(197)	1.2
CDRH12D58/ANP-151M□	151M	150 μ H±20%	280(224)	1.1
CDRH12D58/ANP-181M□	181M	180 μ H±20%	307(245)	1.0
CDRH12D58/ANP-221M□	221M	220 μ H±20%	453(362)	0.80
CDRH12D58/ANP-271M□	271M	270 μ H±20%	550(440)	0.74
CDRH12D58/ANP-331M□	331M	330 μ H±20%	623(498)	0.69
CDRH12D58/ANP-391M□	391M	390 μ H±20%	723(578)	0.63

※ Description of part name

C D R H 1 2 D 5 8 / A N P - 1 0 0 M □



※1 Rated current: The DC current at which the inductance decreases to 65 % of it's nominal value or when $\Delta t=30^{\circ}\text{C}$, whichever is lower ($T_a=125^{\circ}\text{C}$).