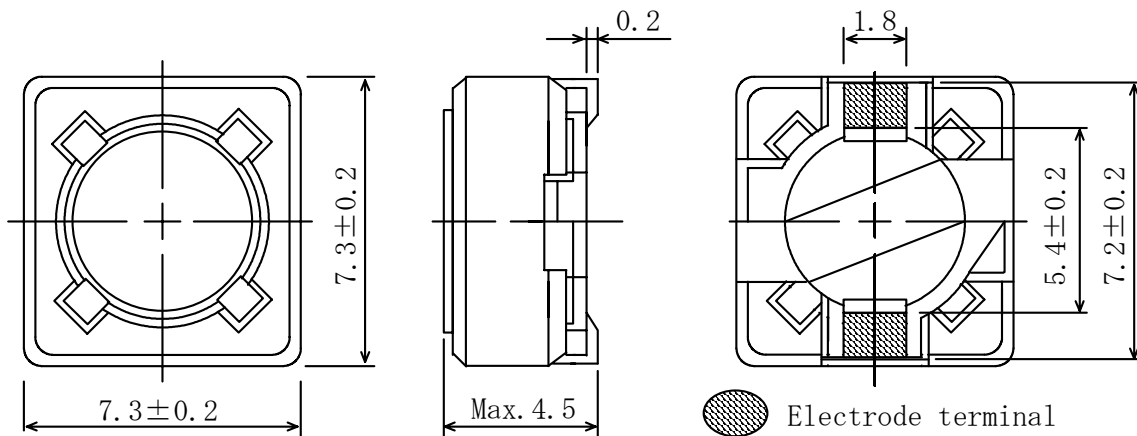
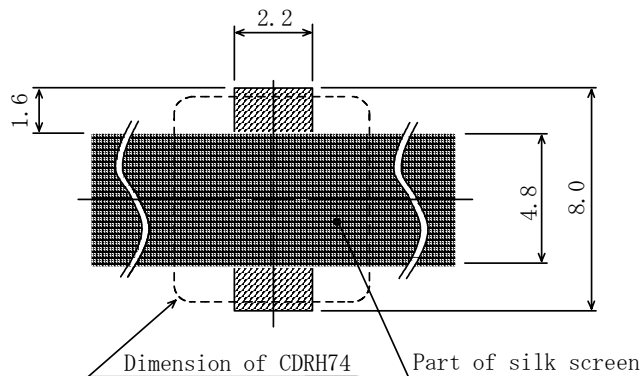


Type: CDRH74
◆ Product Description

- 7.5×7.5mm Max.(L×W), 4.5mm Max. Height.
- Inductance Range: 10 μ H~1.0mH
- Rated current range: 0.18~1.84A
- In addition to the standard versions of inductors shown here, custom inductors are available to meet your exact requirements.


◆ Feature

- Magnetically shielded construction.
- Ideally used in Notebook PC, LCD TV, DVD, Game machine, STB, Projector etc as DC-DC Converter inductors.
- RoHS Compliance

◆ Dimensions (mm)

◆ Land Pattern (mm)


Type: CDRH74
◆ Specification

| Part Name ※ | Stamp | Inductance [within] 100kHz | D.C.R.(Ω) Max.(Typ.) (at 20°C) | Rated current (A)※1 |
|----------------|-------|----------------------------------|--------------------------------------|------------------------|
| CDRH74NP-100M□ | 100 | 10 μH ± 20% | 49m(38m) | 1.84 |
| CDRH74NP-120M□ | 120 | 12 μH ± 20% | 58m(44m) | 1.71 |
| CDRH74NP-150M□ | 150 | 15 μH ± 20% | 81m(62m) | 1.47 |
| CDRH74NP-180M□ | 180 | 18 μH ± 20% | 91m(70m) | 1.31 |
| CDRH74NP-220M□ | 220 | 22 μH ± 20% | 0.11(77m) | 1.23 |
| CDRH74NP-270M□ | 270 | 27 μH ± 20% | 0.15(0.12) | 1.12 |
| CDRH74NP-330M□ | 330 | 33 μH ± 20% | 0.17(0.13) | 0.96 |
| CDRH74NP-390M□ | 390 | 39 μH ± 20% | 0.23(0.18) | 0.91 |
| CDRH74NP-470M□ | 470 | 47 μH ± 20% | 0.26(0.20) | 0.88 |
| CDRH74NP-560M□ | 560 | 56 μH ± 20% | 0.35(0.27) | 0.75 |
| CDRH74NP-680M□ | 680 | 68 μH ± 20% | 0.38(0.30) | 0.69 |
| CDRH74NP-820M□ | 820 | 82 μH ± 20% | 0.43(0.33) | 0.61 |
| CDRH74NP-101M□ | 101 | 100 μH ± 20% | 0.61(0.47) | 0.60 |
| CDRH74NP-121M□ | 121 | 120 μH ± 20% | 0.66(0.51) | 0.52 |
| CDRH74NP-151M□ | 151 | 150 μH ± 20% | 0.88(0.68) | 0.46 |
| CDRH74NP-181M□ | 181 | 180 μH ± 20% | 0.98(0.76) | 0.42 |
| CDRH74NP-221M□ | 221 | 220 μH ± 20% | 1.17(0.90) | 0.36 |
| CDRH74NP-271M□ | 271 | 270 μH ± 20% | 1.64(1.32) | 0.34 |
| CDRH74NP-331M□ | 331 | 330 μH ± 20% | 1.86(1.49) | 0.32 |
| CDRH74NP-391M□ | 391 | 390 μH ± 20% | 2.85(2.28) | 0.29 |
| CDRH74NP-471M□ | 471 | 470 μH ± 20% | 3.01(2.41) | 0.26 |
| CDRH74NP-561M□ | 561 | 560 μH ± 20% | 3.62(2.89) | 0.23 |
| CDRH74NP-681M□ | 681 | 680 μH ± 20% | 4.63(3.71) | 0.22 |
| CDRH74NP-821M□ | 821 | 820 μH ± 20% | 5.20(4.16) | 0.20 |
| CDRH74NP-102M□ | 102 | 1.0mH ± 20% | 6.00(4.80) | 0.18 |

※ Description of part name

CDRH74NP-100M□

- B Box
- C Carrier Tape

※1 Rated current: The DC current at which the inductance decreases to 75% of its nominal value or when $\Delta t=40^{\circ}\text{C}$, whichever is lower ($T_a=20^{\circ}\text{C}$).