

### Features

- Shielded construction
- Unit height of 4 mm
- Inductance range: 0.5  $\mu$ H to 1.8  $\mu$ H
- Current up to 13 A
- Lead free
- RoHS compliant\*

### Applications

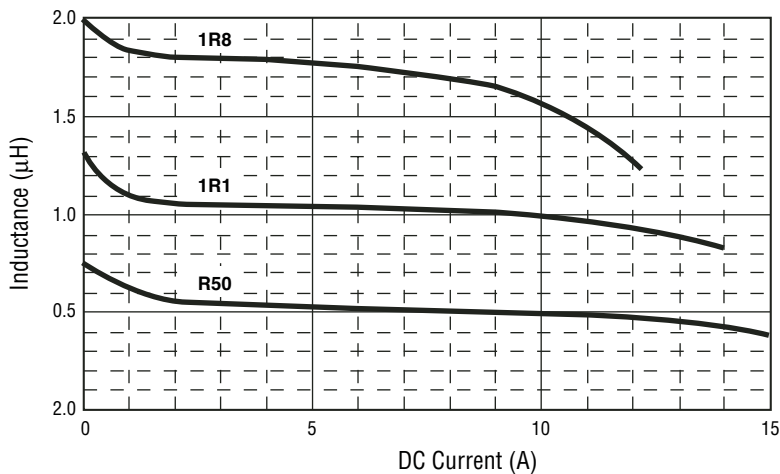
- Input/output of DC/DC converters
- Power supplies for:
  - Portable communications equipment
  - Camcorders
  - LCD TVs
  - Car audio systems

## SRP1204 Series - Shielded Power Inductors

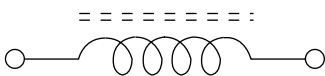
### Electrical Specifications

Bourns Part No.	Initial Inductance L0 ( $\mu$ H)	Inductance at Flat Point L1 ( $\mu$ H)	Flat Point ref. (A)	I rms (A)	I sat (A)	DCR (m $\Omega$ ) max.
SRP1204-R50M	0.75 $\pm$ 20 %	0.55 $\pm$ 20 %	2.0	13.0	14.0	3.0
SRP1204-1R1M	1.30 $\pm$ 20 %	1.10 $\pm$ 20 %	2.0	12.0	13.0	4.5
SRP1204-1R8M	2.00 $\pm$ 20 %	1.80 $\pm$ 20 %	2.0	10.0	11.0	6.0

### L vs I Charts



### Electrical Schematic



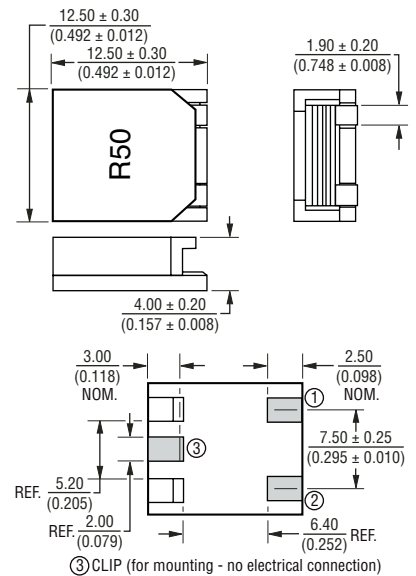
### General Specifications

Test Voltage ..... 1 V  
 Test Frequency ..... 100 KHz  
 Reflow Soldering ..... 230 °C; 50 sec max.  
 Operating Temperature .. -55 °C to +150 °C  
 (Temperature rise included)  
 Storage Temperature .. -55 °C to +150 °C  
 Resistance to Soldering Heat  
 ..... +260 °C for 10 sec.

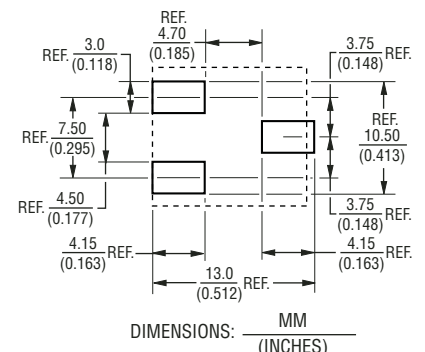
### Materials

Core ..... Ferrite ER  
 Wire ..... Enameled copper  
 Terminal ..... Cu/Ni/Sn  
 Rated Current ..... Ind. drops 20 % at I sat  
 Temperature Rise ..... 40 °C at rated I rms  
 Packaging ..... 800 pcs. per 13-inch reel

### Product Dimensions



### Recommended Layout

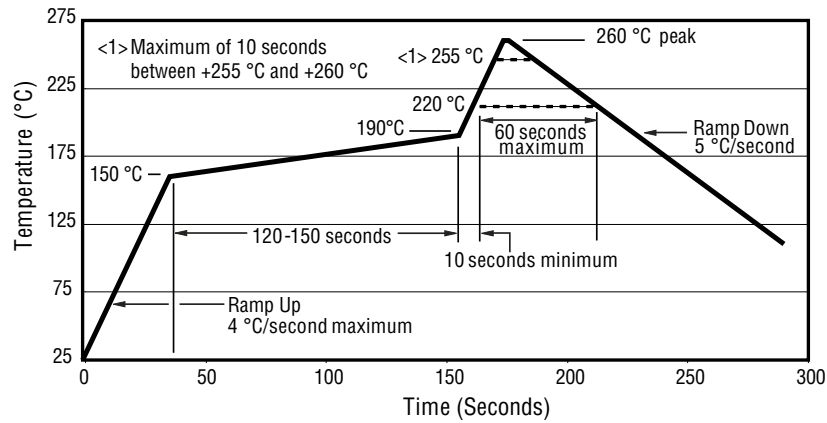


\*RoHS Directive 2002/95/EC Jan 27 2003 including Annex  
 Specifications are subject to change without notice.  
 Customers should verify actual device performance in their specific applications.

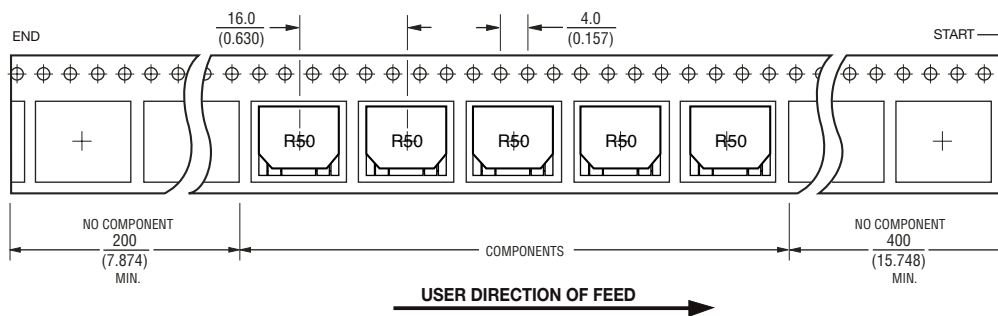
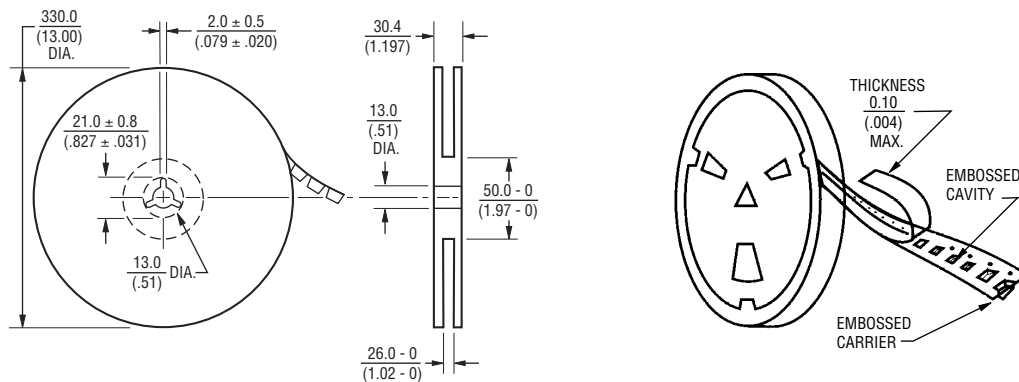
# SRP1204 Series - Shielded Power Inductors

**BOURNS®**

## Soldering Profile



## Packaging Specifications



DIMENSIONS:  $\frac{\text{MM}}{\text{(INCHES)}}$

REV. 10/06

Specifications are subject to change without notice.  
Customers should verify actual device performance in their specific applications.