



### Features

- Shielded construction
- Unit height of 5.7 mm
- Inductance range: 0.47  $\mu$ H to 2.8  $\mu$ H
- Current up to 30 A
- Lead free
- RoHS compliant\*

### Applications

- Input/output of DC/DC converters
- Power supplies for:
  - Portable communications equipment
  - Camcorders
  - LCD TVs
  - Car audio systems

## SRP1206 Series - Shielded Power Inductors

### Electrical Specifications

Bourns Part No.	Initial Inductance L0 ( $\mu$ H)	Inductance at Flat Point L1 ( $\mu$ H)	Flat Point ref. (A)	I rms (A)	I sat (A)	DCR (m $\Omega$ ) max.
SRP1206-R47Y	0.70 $\pm$ 25 %	0.47 $\pm$ 25 %	5.0	30.0	30.0	2.3
SRP1206-R60Y	0.90 $\pm$ 25 %	0.60 $\pm$ 25 %	5.0	28.0	26.0	2.3
SRP1206-R80Y	1.10 $\pm$ 25 %	0.80 $\pm$ 25 %	5.0	26.0	25.0	3.2
SRP1206-1R3Y	1.50 $\pm$ 25 %	1.30 $\pm$ 25 %	4.0	22.0	19.0	3.6
SRP1206-2R0Y	2.20 $\pm$ 25 %	2.00 $\pm$ 25 %	4.0	17.0	15.0	6.0
SRP1206-2R8Y	3.00 $\pm$ 25 %	2.80 $\pm$ 25 %	3.0	15.0	13.0	7.0

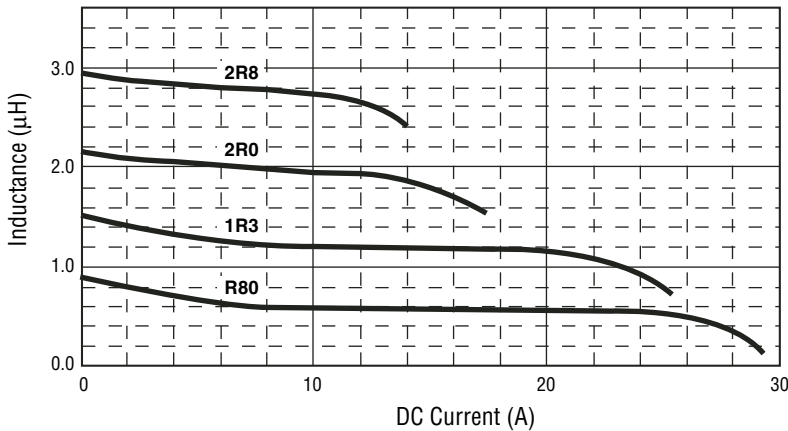
### General Specifications

Test Voltage.....1 V  
 Test Frequency .....100 KHz  
 Reflow Soldering .....230 °C; 50 sec max.  
 Operating Temperature...-55 °C to +150 °C  
 (Temperature rise included)  
 Storage Temperature...-55 °C to +150 °C  
 Resistance to Soldering Heat  
 .....+260 °C for 10 sec.

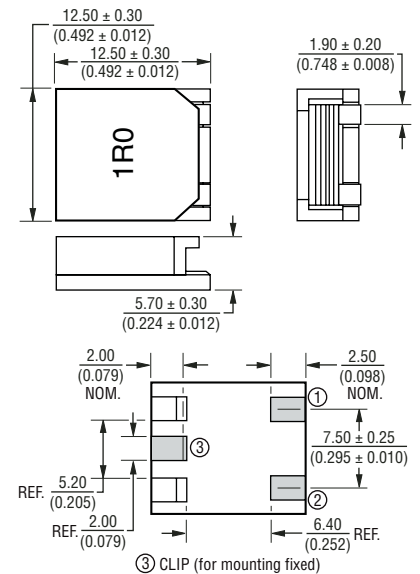
### Materials

Core.....Ferrite ER  
 Wire.....Enameled copper  
 Terminal .....Cu/Sn  
 Rated Current.....Ind. drops 20 % at I sat  
 Temperature Rise.....40 °C at rated I rms  
 Packaging .....600 pcs. per 13-inch reel

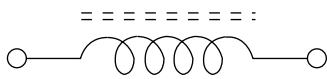
### L vs I Charts



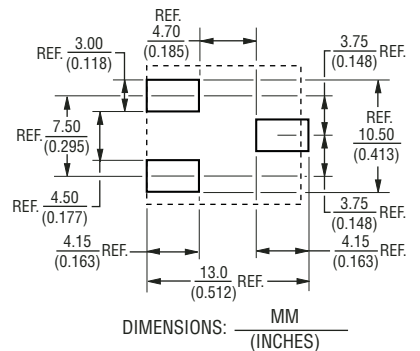
### Product Dimensions



### Electrical Schematic



### Recommended Layout

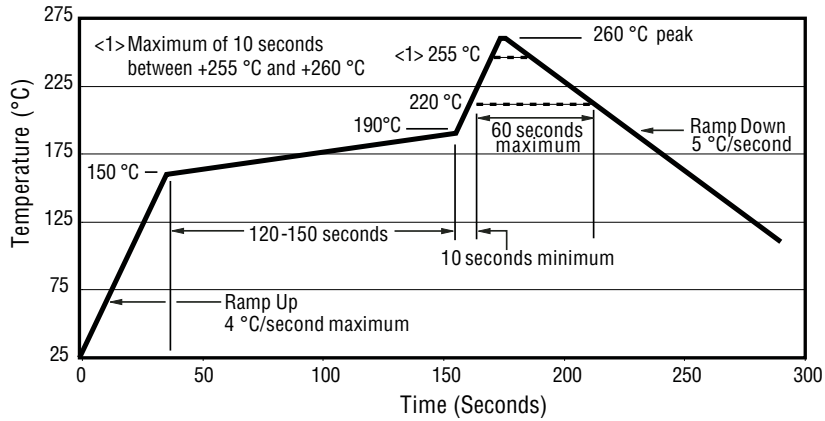


\*RoHS Directive 2002/95/EC Jan 27 2003 including Annex  
 Specifications are subject to change without notice.  
 Customers should verify actual device performance in their specific applications.

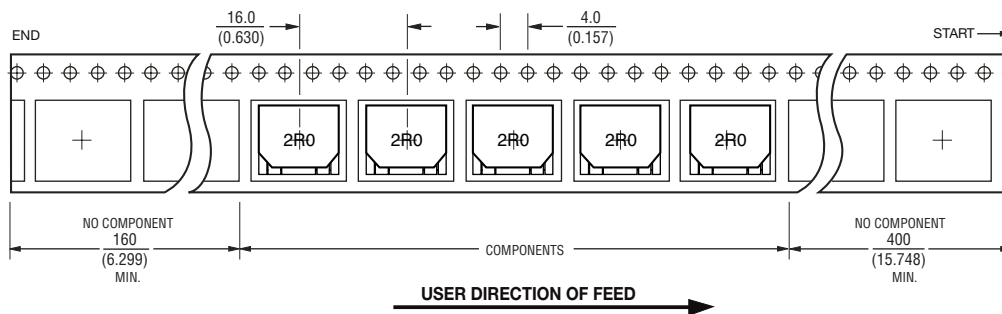
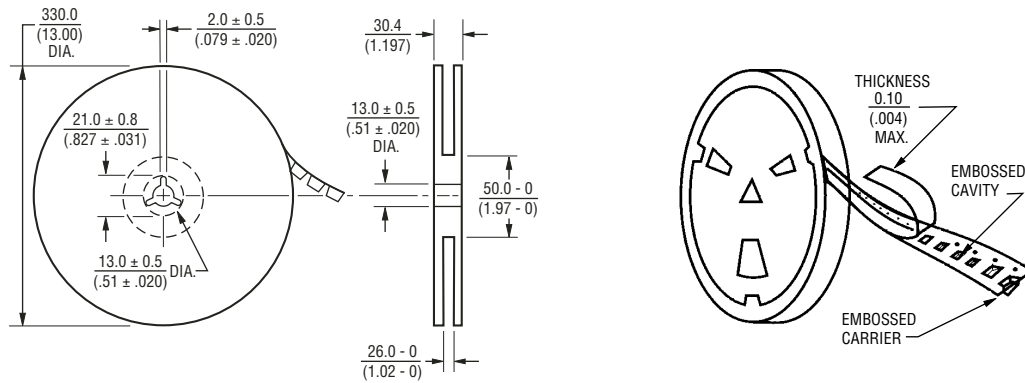
# SRP1206 Series - Shielded Power Inductors

**BOURNS®**

## Soldering Profile



## Packaging Specifications



DIMENSIONS:  $\frac{\text{MM}}{\text{(INCHES)}}$

REV. 10/06

Specifications are subject to change without notice.  
Customers should verify actual device performance in their specific applications.