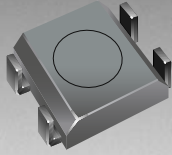


\*RoHS COMPLIANT



**BOURNS®**

## Features

- Available in E6 series
- Low unit height of 1.8 mm
- High current
- RoHS compliant\*

## Applications

- Input/output of DC/DC converters
- Power supplies for:
  - Portable communication equipment
  - Camcorders
  - LCD TVs
  - Car radios

# SRR0618 Series - Shielded Power Inductors

### Electrical Specifications

Bourns Part No.	Inductance 100kHz		Q Ref.	Test Frequency (kHz)	SRF Nom. (MHz)	RDC Max. (Ω)	I rms Typ. (A)	I sat Typ. (A)
	(μH)	Tol. %						
SRR0618-2R2ML	2.2	± 20	30	100	95	0.05	1.70	2.10
SRR0618-3R3ML	3.3	± 20	30	100	70	0.07	1.40	1.75
SRR0618-4R7ML	4.7	± 20	30	100	65	0.10	1.05	1.45
SRR0618-6R8ML	6.8	± 20	30	100	50	0.15	0.95	1.18
SRR0618-100ML	10.0	± 20	30	100	45	0.22	0.82	0.98
SRR0618-150ML	15.0	± 20	30	100	35	0.31	0.60	0.76
SRR0618-220ML	22.0	± 20	30	100	25	0.46	0.47	0.60
SRR0618-330ML	33.0	± 20	30	100	22	0.68	0.43	0.53
SRR0618-470ML	47.0	± 20	30	100	20	1.10	0.36	0.44
SRR0618-680ML	68.0	± 20	30	100	15	1.50	0.30	0.37
SRR0618-101ML	100.0	± 20	30	100	13	2.30	0.23	0.27

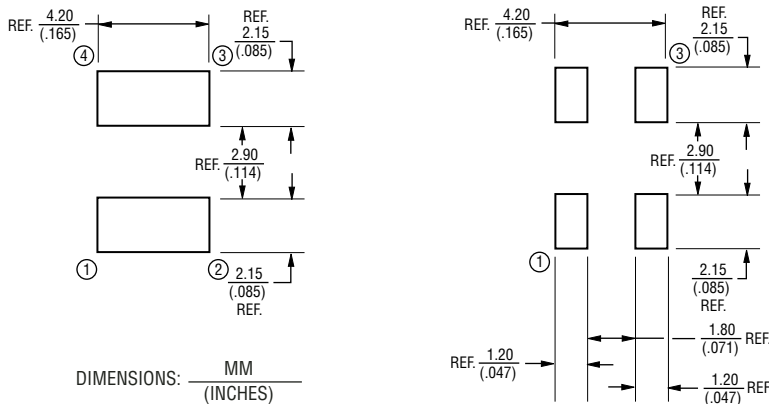
### General Specifications

Test Voltage.....0.1 Volt  
 Reflow Soldering.....230 °C, 50 sec max.  
 Operating Temperature...-40 °C to +125 °C  
 (Temperature rise included)  
 Storage Temperature...-40 °C to +125 °C  
 Resistance to Soldering Heat  
 .....260 °C for 10 sec.

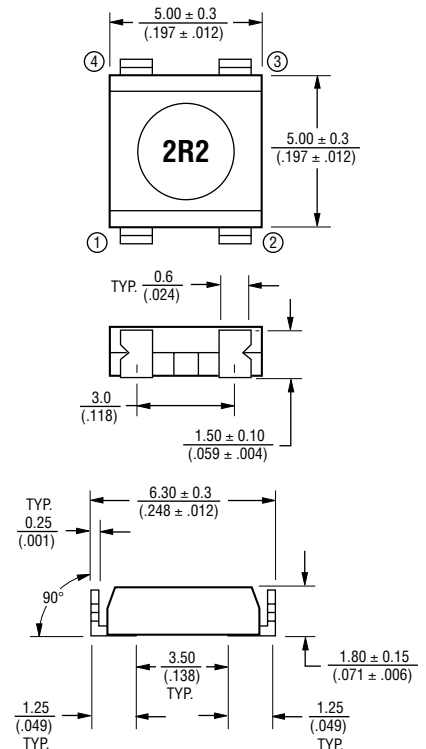
### Materials

Core Material.....Ferrite DR  
 Wire .....Enamelled Copper  
 Base .....Ferrite Core  
 Terminal.....Cu/Ni/Sn  
 Rated Current...Ind. drop 50 % typ at I sat  
 Temperature Rise  
 .....40 °C max at rated I rms  
 Packaging.....900 pcs. per reel

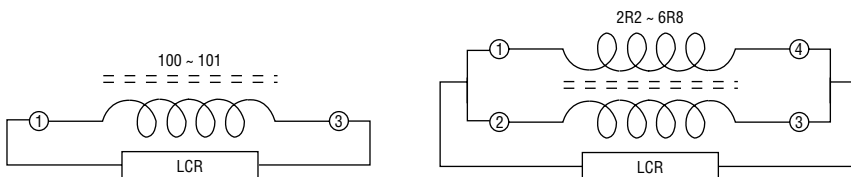
### Recommended Layout



### Product Dimensions



### Electrical Schematic

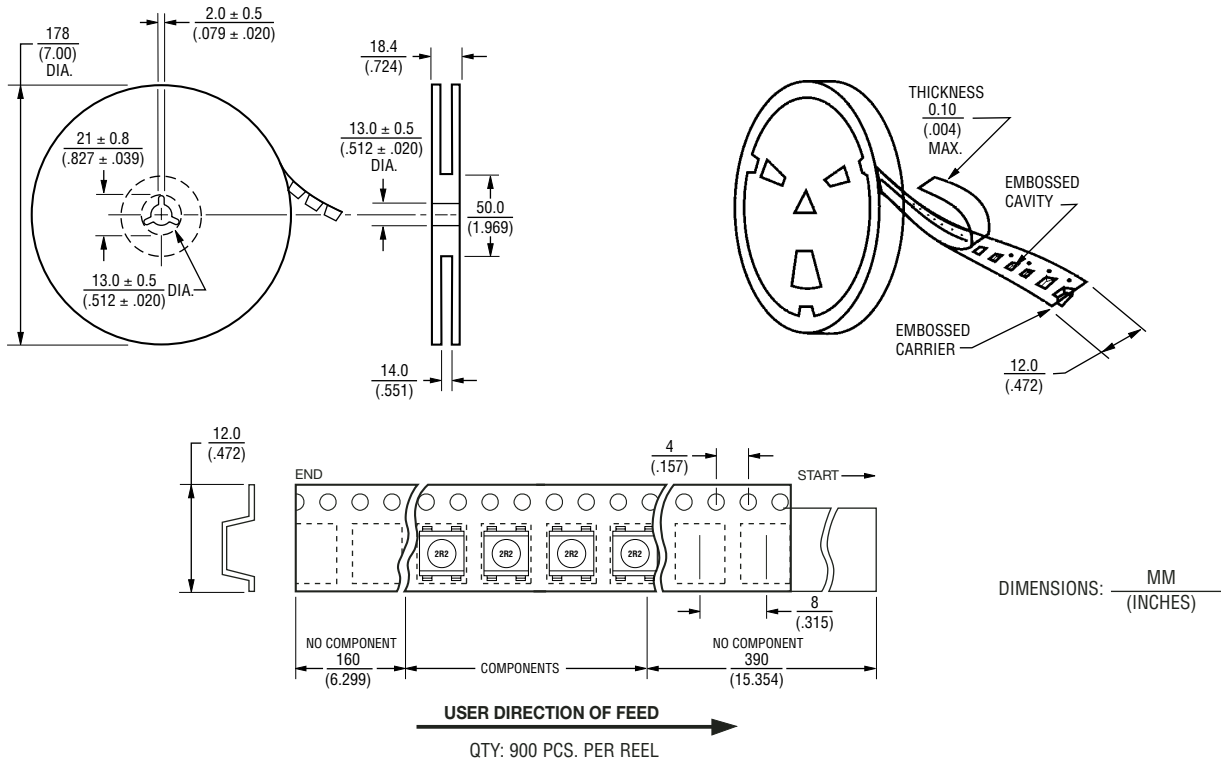


\*RoHS Directive 2002/95/EC Jan 27 2003 including Annex  
 Specifications are subject to change without notice.  
 Customers should verify actual device performance in their specific applications.

# SRR0618 Series - Shielded Power Inductors

**BOURNS®**

## Packaging Specifications



REV. 03/07

Specifications are subject to change without notice.  
Customers should verify actual device performance in their specific applications.