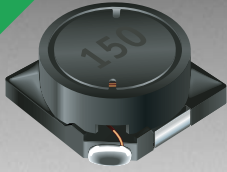


\*RoHS COMPLIANT



**BOURNS®**

### Features

- Available in E6 values
- Inductance value to 1000  $\mu$ H
- Lead free
- RoHS compliant\*

### Applications

- Input/output of DC/DC converters
- Power supplies for:
  - Portable communication equipment
  - Camcorders
  - LCD TVs
  - Car radios

## SRR7032 Series - Shielded SMD Power Inductors

### Electrical Specifications

Bourns Part No.	Inductance 100 kHz		Q Typ.	Test Frequency (MHz)	SRF Min. (MHz)	RDC Max. ( $\Omega$ )	I rms Max. (A)	I sat Typ. (A)
	( $\mu$ H)	Tol. %						
SRR7032-2R2M	2.2	$\pm 20$	12	7.96	70	0.022	2.65	2.60
SRR7032-3R3M	3.3	$\pm 20$	16	7.96	55	0.027	2.40	2.20
SRR7032-4R7M	4.7	$\pm 20$	16	7.96	43	0.042	2.00	2.00
SRR7032-6R8M	6.8	$\pm 20$	17	7.96	37	0.054	1.60	1.80
SRR7032-100M	10.0	$\pm 20$	25	2.52	35	0.068	1.40	1.60
SRR7032-150M	15.0	$\pm 20$	22	2.52	32	0.095	1.10	1.20
SRR7032-220M	22.0	$\pm 20$	20	2.52	29	0.135	0.96	1.05
SRR7032-330M	33.0	$\pm 20$	23	2.52	20	0.200	0.76	0.86
SRR7032-470M	47.0	$\pm 20$	26	2.52	18	0.280	0.67	0.77
SRR7032-680M	68.0	$\pm 20$	22	2.52	16	0.380	0.60	0.70
SRR7032-101M	100.0	$\pm 20$	28	0.796	12	0.540	0.45	0.50
SRR7032-151M	150.0	$\pm 20$	35	0.796	10	0.800	0.37	0.38
SRR7032-221M	220.0	$\pm 20$	47	0.796	7.5	1.300	0.30	0.32
SRR7032-331M	330.0	$\pm 20$	46	0.796	6.1	1.900	0.22	0.24
SRR7032-471M	470.0	$\pm 20$	34	0.796	5.1	2.400	0.20	0.20
SRR7032-681M	680.0	$\pm 20$	58	0.796	3.8	3.750	0.16	0.15
SRR7032-102M	1000.0	$\pm 20$	120	0.252	3.1	5.400	0.15	0.14

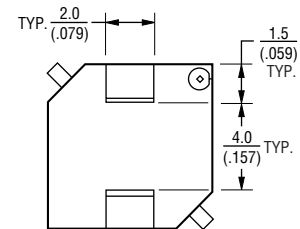
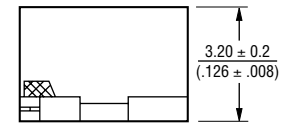
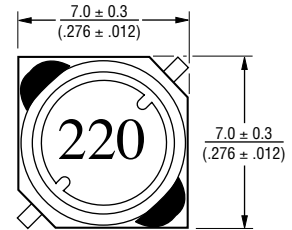
### General Specifications

Test Voltage.....0.5 V  
 Reflow Soldering ...230 °C, 50 sec. max.  
 Operating Temperature -40 °C to +125 °C  
 (Temperature rise included)  
 Storage Temperature...-40 °C to +125 °C  
 Resistance to Soldering Heat  
 .....260 °C for 10 sec.

### Materials

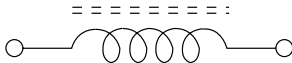
Core .....Ferrite DR and RI  
 Wire .....Enameled copper wire 130  
 Terminal.....Cu/Ni/Sn  
 Rated Current  
 .....Ind. drop 10 % typ. at Isat  
 Temperature Rise .....30 °C max.  
 at rated I<sub>rms</sub>  
 Packaging .....1500 pcs. per reel

### Product Dimensions

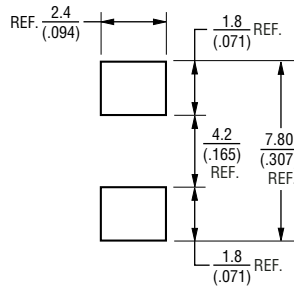


DIMENSIONS:  $\frac{\text{MM}}{\text{(INCHES)}}$

### Electrical Schematic



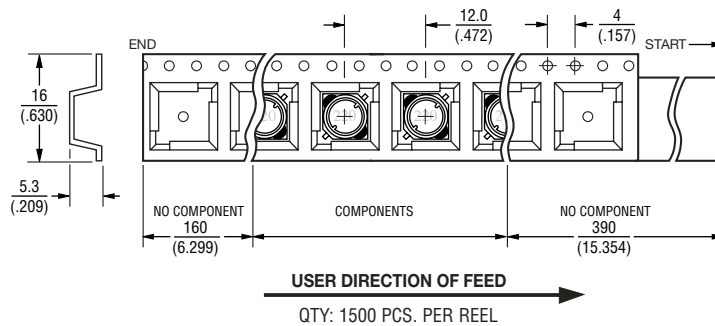
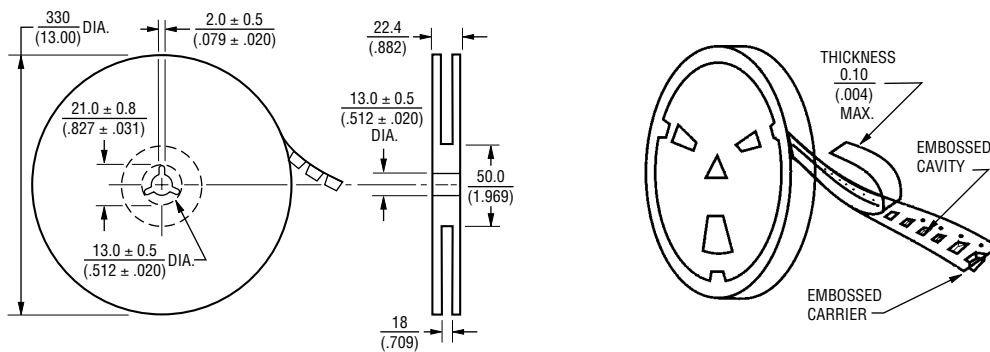
### Recommended Layout



# SRR7032 Series - Shielded SMD Power Inductors

**BOURNS®**

## Packaging Specifications



DIMENSIONS:  $\frac{\text{MM}}{\text{(INCHES)}}$

REV. 01/07

Specifications are subject to change without notice.  
Customers should verify actual device performance in their specific applications.