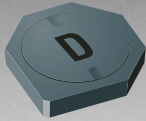


*RoHS COMPLIANT



BOURNS®

Features

- Available in E6 series
- Unit height of 1.1 mm
- Current up to 1.1 A
- Lead free
- RoHS compliant*

Applications

- Input/output of DC/DC converters
- Power supplies for:
 - Portable communication equipment
 - Camcorders
 - LCD TVs
 - Car radios

SRU3011 Series - Shielded SMD Power Inductors

Electrical Specifications

Bourns Part No.	Inductance 100 KHz		Q Ref.	Test Frequency (MHz)	SRF Min. (MHz)	RDC (mΩ)	I rms Max. (A)	I sat Typ. (A)	Marking
	(μH)	Tol. %							
SRU3011-1R5Y	1.5	± 30	7	7.96	180	57	1.10	1.00	A
SRU3011-2R2Y	2.2	± 30	7	7.96	150	80	0.92	0.90	B
SRU3011-3R3Y	3.3	± 30	8	7.96	120	116	0.84	0.78	C
SRU3011-4R7Y	4.7	± 30	8	7.96	90	178	0.63	0.62	D
SRU3011-6R8Y	6.8	± 30	7	7.96	85	245	0.50	0.46	E
SRU3011-100Y	10.0	± 30	8	2.52	60	340	0.40	0.35	F

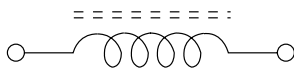
General Specifications

Test Voltage.....0.1 V
 Reflow Soldering ...230 °C, 50 sec. max.
 Operating Temperature .-40 °C to +125 °C
 (Temperature rise included)
 Storage Temperature..-40 °C to +125 °C
 Resistance to Soldering Heat
260 °C for 10 sec.

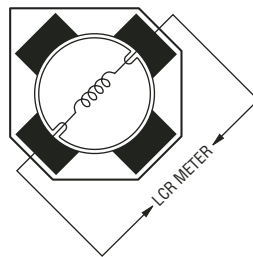
Materials

Core.....Ferrite DR and RI core
 WireEnamelled copper
 BaseLCP E4008
 TerminalAg/Ni/Sn
 Rated Current
Ind. drop 35 % typ. at Isat
 Temperature Rise
40 °C max. at rated Irms
 Packaging.....1500 pcs. per reel

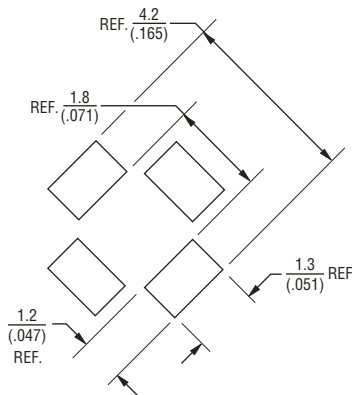
Electrical Schematic



Inductor Connection

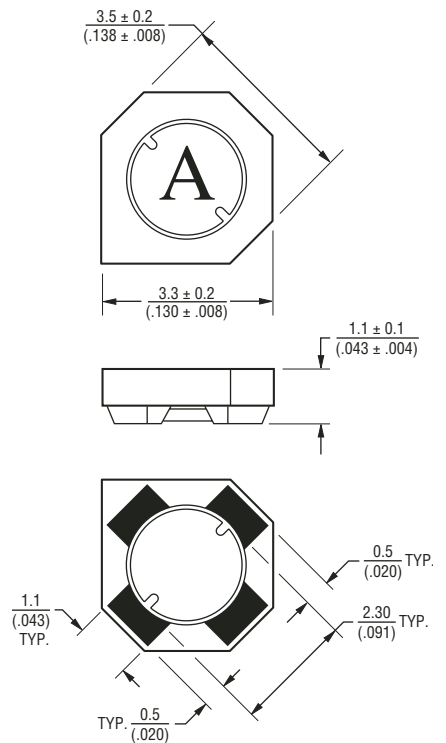


Recommended Layout



DIMENSIONS: $\frac{\text{MM}}{\text{(INCHES)}}$

Product Dimensions

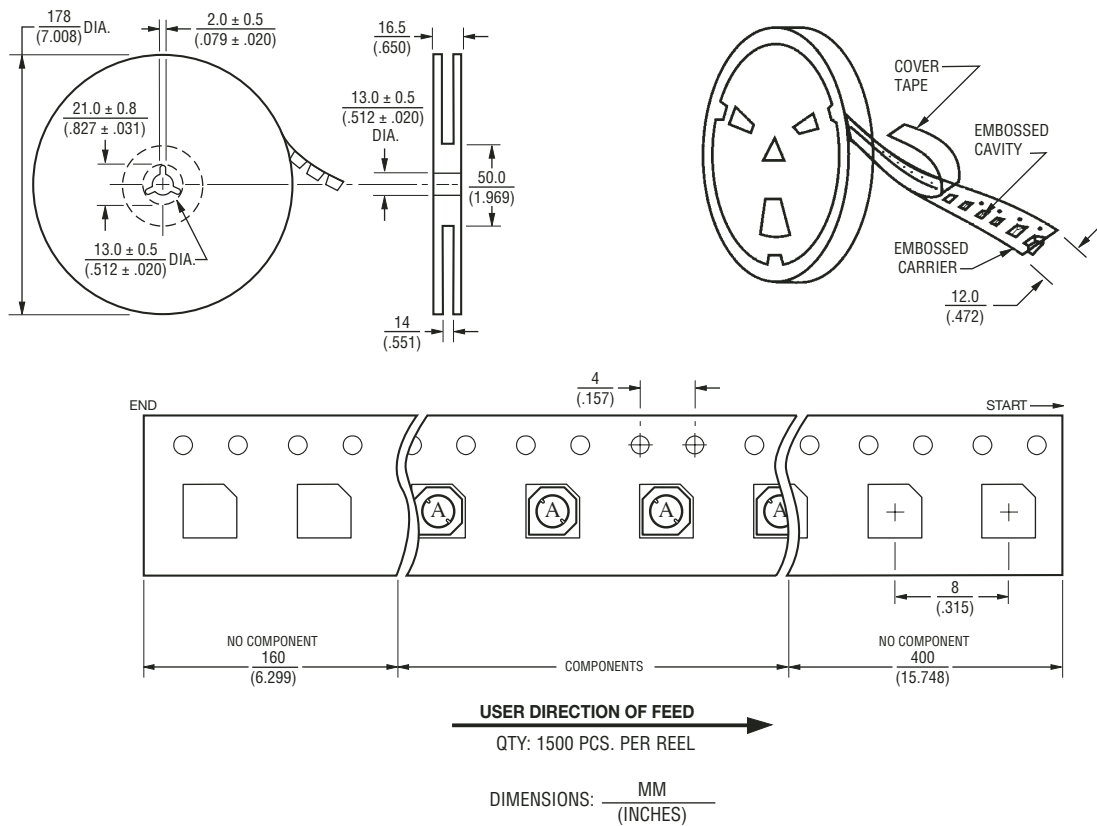


*RoHS Directive 2002/95/EC Jan 27 2003 including Annex
 Specifications are subject to change without notice.
 Customers should verify actual device performance in their specific applications.

SRU3011 Series - Shielded SMD Power Inductors

BOURNS®

Packaging Specifications



REV. 05/05

Specifications are subject to change without notice.
 Customers should verify actual device performance in their specific applications.