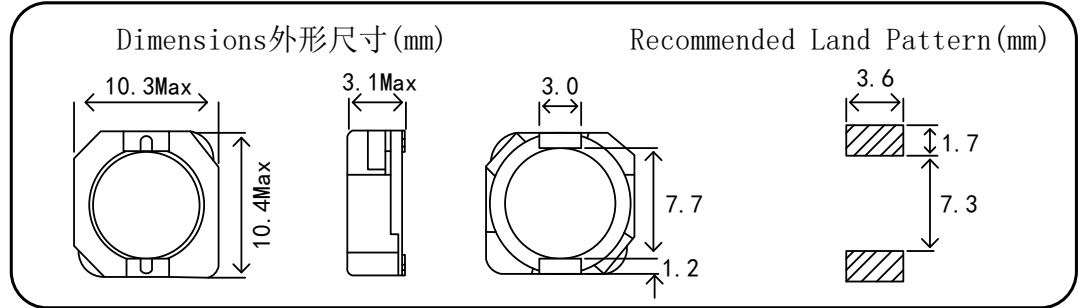
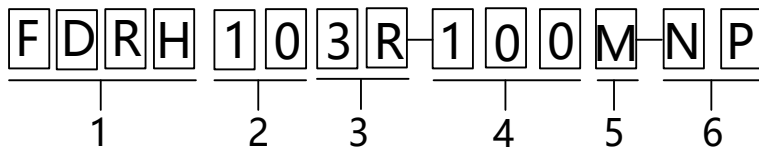




Type: FDRH103R



PRODUCT IDENTIFICATION/產品標識



1. Product symbol/產品類型 : FDRH (shield/屏蔽)
2. Body length/產品長度 : mm
3. Body height/產品高度 : mm
4. Inductance/感量 :  $\mu\text{H}$
5. Tolerance/公差 : M  $\pm 20\%$ , N  $\pm 30\%$
6. RoHS Compliant(SGS Certified)

本產品滿足環境保護要求(有害物質限用)



FEATURES:

- Quantity/reel:1000PCS.
- Square 10.0mm type(10.4mm Max).Height 3.1mm Max.
- Magnetically shielded construction.
- Suitable for reflow soldering.
- Widely use in DC-DC converter/LCD TV/Notebook/PDA/Digital camera/Portable CDR-W etc.

特長:

- 數量/卷:1000PCS.
- 方形10.0mm(10.4mm Max),高度3.1mm Max.
- 閉磁路構造設計.
- 適用於回流焊SMT工藝.
- 廣泛應用於升降壓轉換器/液晶顯示器/筆記本電腦/個人掌上記事本/數碼相機/便攜式光碟機等.

ELECTRICAL CHARACTERISTICS/電氣特性

Part NO. 品名	Inductance 電感量( $\mu\text{H}$ )	Tolerance 公差(%)	DC Resistance 直流電阻Max( $\Omega$ )	I sat(Max) 飽和電流(A)	I rms(Max) 溫升電流(A)
FDRH103R-1R5	1.5	N	0.0110	8.00	5.80
FDRH103R-2R2	2.2	N	0.0169	6.70	5.10
FDRH103R-3R3	3.3	N	0.0210	5.56	4.70
FDRH103R-4R7	4.7	N	0.0300	4.65	4.00
FDRH103R-6R8	6.8	N	0.0350	3.84	3.60
FDRH103R-8R2	8.2	N	0.0500	3.54	3.00
FDRH103R-100	10	M	0.0581	2.70	2.80
FDRH103R-120	12	M	0.0721	2.25	2.10
FDRH103R-150	15	M	0.0865	2.22	2.05
FDRH103R-180	18	M	0.1161	1.90	1.80
FDRH103R-220	22	M	0.1454	1.78	1.60
FDRH103R-270	27	M	0.1759	1.63	1.50
FDRH103R-330	33	M	0.2134	1.46	1.35
FDRH103R-390	39	M	0.2689	1.32	1.25
FDRH103R-470	47	M	0.2986	1.18	1.20
FDRH103R-560	56	M	0.3358	1.10	1.15
FDRH103R-680	68	M	0.4513	1.04	0.98
FDRH103R-820	82	M	0.5138	0.94	0.80
FDRH103R-101	100	M	0.7000	0.84	0.70
FDRH103R-121	120	M	0.7650	0.76	0.65
FDRH103R-151	150	M	0.8763	0.70	0.51

Inductance Range/電感範圍:1.5~150 $\mu\text{H}$

Operating Temperature/工作溫度:-40°C ~ +125°C

Storage Temperature/儲存溫度:-40°C ~ +125°C

(1) Test frequency :100KHz/1.0V:

(2) The maximum allowable current is a DC current which causes initial inductance to decrease by 35%,or temperature to rise by 40°C, whichever is smaller(At ambient reference temperature:25°C).

(1) 電感測試頻率:100KHz/1.0V:

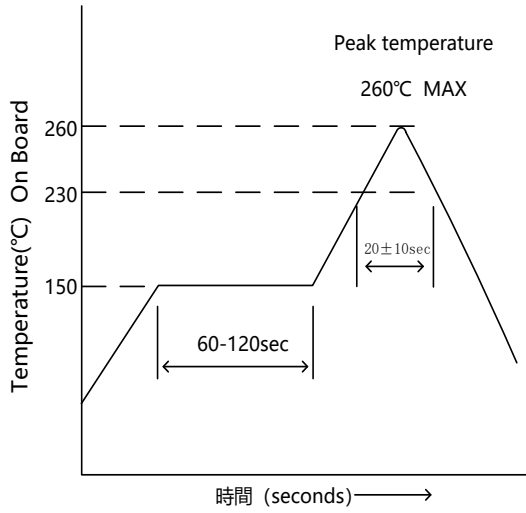
(2) 最大容許電流定義:電感下降35%或溫度上升40°C時,取其小值作為最大容許電流(周圍環境溫度25°C).



Electrical Schematic/原理圖



Recommended Temperature Conditions of Air Reflow Soldering/推薦回流焊溫度條件



In addition to the standards versions shown here, custom inductors are also available to meet your exact requirements.

除了這裡顯示的標準品之外,可根據客戶要求進行設計.

[www.fonrita.com](http://www.fonrita.com)