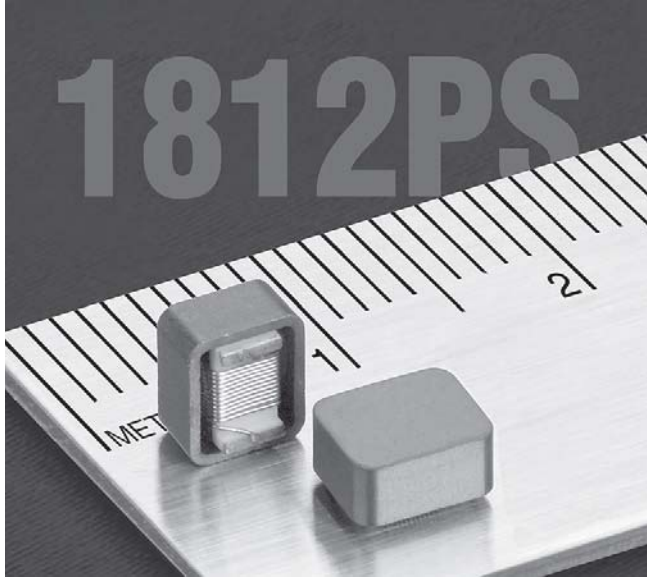




# Power Chip Inductors – 1812PS Series



- Economical alternative to larger shielded power inductors.
- Ferrite cover provides magnetic shielding

**Designer's Kit C343** contains six of each 10% part

**Core material** Ceramic/Ferrite

**Core and winding loss** See [www.coilcraft.com/coreloss](http://www.coilcraft.com/coreloss)

**Terminations** RoHS compliant silver-palladium-platinum-glass frit. Other terminations available at additional cost.

**Weight** 286 – 323 mg

**Ambient temperature** –40°C to +105°C with I<sub>rms</sub> current, +105°C to +145°C with derated current

**Storage temperature** Component: –40°C to +145°C.

Packaging: –55°C to +80°C

**Resistance to soldering heat** Max three 40 second reflows at +260°C, parts cooled to room temperature between cycles

**Temperature Coefficient of Inductance (TCL)** +200 to +700 ppm/°C

**Moisture Sensitivity Level (MSL)** 1 (unlimited floor life at <30°C / 85% relative humidity)

**Mean Time Between Failures (MTBF)** 26,315,789 hours

**Packaging** 600 per 7" reel; 2200 per 13" reel;

Plastic tape: 12 mm wide, 0.25 mm thick, 4 mm pocket spacing, 3.9 mm pocket depth

**PCB washing** Only pure water or alcohol recommended

Part number <sup>1</sup>	L <sup>2</sup> (µH)	% tol <sup>3</sup>	Q min <sup>4</sup>	DCR max <sup>5</sup> (Ohms)	SRF typ <sup>6</sup> (MHz)	Isat <sup>7</sup> (A)	I <sub>rms</sub> <sup>8</sup> (A)
1812PS-102_L_	1.0	<b>10,5</b>	35	0.05	685	2.50	2.70
1812PS-122_L_	1.2	<b>10,5</b>	38	0.06	460	2.00	2.60
1812PS-152_L_	1.5	<b>10,5</b>	38	0.06	460	2.00	2.60
1812PS-222_L_	2.2	<b>10,5</b>	38	0.07	270	1.70	2.40
1812PS-272_L_	2.7	<b>10,5</b>	40	0.08	265	1.40	2.30
1812PS-332_L_	3.3	<b>10,5</b>	40	0.09	225	1.40	2.30
1812PS-392_L_	3.9	<b>10,5</b>	40	0.11	170	1.20	2.20
1812PS-472_L_	4.7	<b>10,5</b>	40	0.11	165	1.15	2.10
1812PS-562_L_	5.6	<b>10,5</b>	40	0.12	155	1.10	2.10
1812PS-682_L_	6.8	<b>10,5</b>	40	0.13	140	1.00	1.90
1812PS-103_L_	10	<b>10,5</b>	40	0.17	120	0.90	1.70
1812PS-153_L_	15	<b>10,5</b>	40	0.26	100	0.70	1.45
1812PS-223_L_	22	<b>10,5</b>	40	0.33	45	0.54	1.20
1812PS-333_L_	33	<b>10,5</b>	40	0.40	30	0.46	1.10
1812PS-393_L_	39	<b>10,5</b>	48	0.56	30	0.40	1.00
1812PS-473_L_	47	<b>10,5</b>	50	0.87	28	0.35	0.80
1812PS-683_L_	68	<b>10,5</b>	50	1.08	17	0.32	0.67
1812PS-823_L_	82	<b>10,5</b>	55	1.25	17	0.28	0.65
1812PS-104_L_	100	<b>10,5</b>	60	1.32	14	0.27	0.65
1812PS-124_L_	120	<b>10,5</b>	60	1.45	12	0.23	0.60
1812PS-154_L_	150	<b>10,5</b>	60	2.20	11	0.20	0.51
1812PS-224_L_	220	<b>10,5</b>	60	2.65	7	0.17	0.47
1812PS-334_L_	330	<b>10,5</b>	60	4.85	5.5	0.15	0.31
1812PS-474_L_	470	<b>10,5</b>	50	5.85	4.0	0.12	0.31
1812PS-564_L_	560	<b>10,5</b>	40	6.10	2.6	0.11	0.28
1812PS-684_L_	680	<b>10,5</b>	40	6.60	2.3	0.10	0.28
1812PS-824_L_	820	<b>10,5</b>	30	7.35	1.8	0.09	0.25
1812PS-105_L_	1000	<b>10,5</b>	28	10.00	1.8	0.08	0.22

1. When ordering, specify **tolerance, termination and packaging** codes:

1812PS-105 J L C

**Tolerance:** J = 5% K = 10%

(Table shows stock tolerances in bold.)

**Termination:** L = RoHS compliant silver-palladium-platinum-glass frit. Special order: T = RoHS tin-silver-copper (95.5/4/0.5) or S = non-RoHS tin-lead (63/37).

**Packaging:** C = 7" machine-ready reel. EIA-481 embossed plastic tape (600 parts per full reel).

B = Less than full reel. In tape, but not machine ready. To have a leader and trailer added (\$25 charge), use code letter C instead.

D = 13" machine-ready reel. EIA-481 embossed plastic tape. Factory order only, not stocked (2200 parts per full reel).

2. Inductance measured at 100 kHz, 0.1 V<sub>rms</sub>, using a Coilcraft SMD-A fixture in an Agilent/HP 4263B LCR meter.
  3. Tolerances in bold are stocked for immediate shipment.
  4. Q measured at 1 MHz on an Agilent/HP 4291 with an Agilent/HP 16193 test fixture.
  5. DCR measured on micro-ohmmeter and a Coilcraft CCF840 test fixture.
  6. SRF measured using an Agilent/HP 8753D network analyzer and a Coilcraft SMD-D test fixture.
  7. DC current at which the inductance drops 10% (typ) from its value without current.
  8. Current that causes a 40°C temperature rise from 25°C ambient.
  9. Electrical specifications at 25°C.
- See Qualification Standards section for environmental and test data. Refer to Doc 362 "Soldering Surface Mount Components" before soldering.

**COILCRAFT** ACCURATE  
**PRECISION** REPEATABLE  
MEASUREMENTS  
SEE INDEX **TEST FIXTURES**

*Coilcraft*<sup>®</sup>

Specifications subject to change without notice.  
Please check our website for latest information.

Document 252-1 Revised 9/19/07

1102 Silver Lake Road Cary, Illinois 60013 Phone 847/639-6400 Fax 847/639-1469

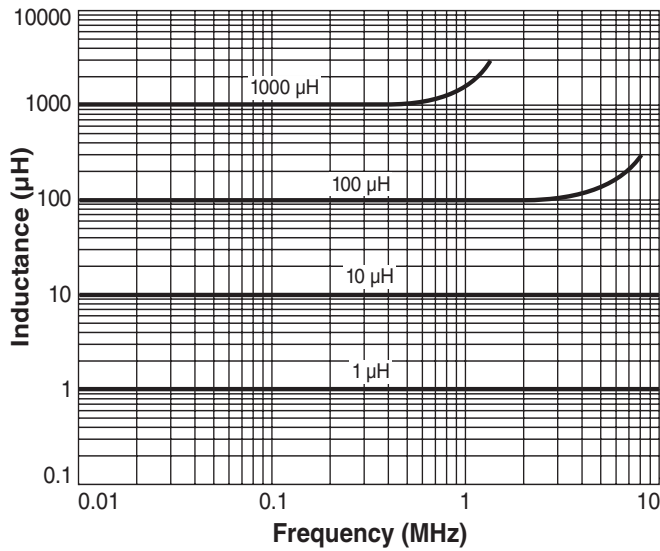
E-mail [info@coilcraft.com](mailto:info@coilcraft.com) Web <http://www.coilcraft.com>



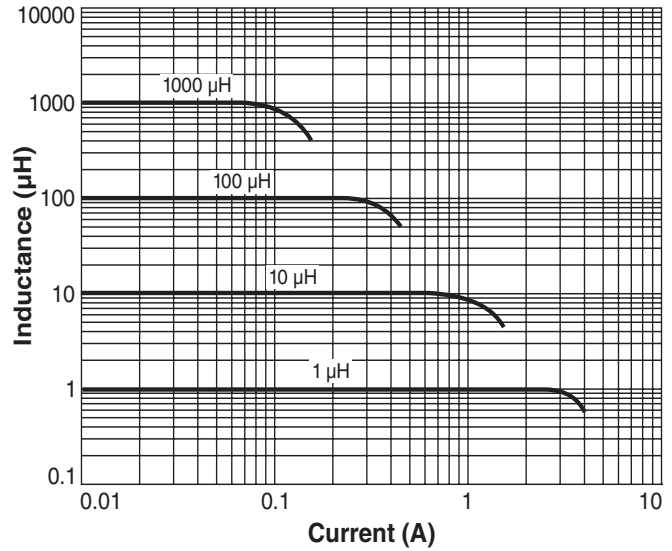
# Power Chip Inductors - 1812PS Series

**S-Parameter files**  
ON OUR WEB SITE OR CD  
**SPICE models**  
ON OUR WEB SITE OR CD

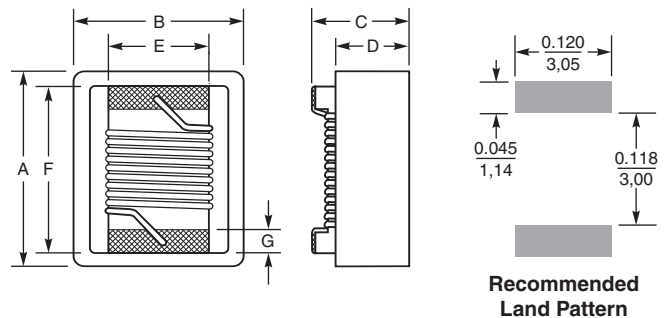
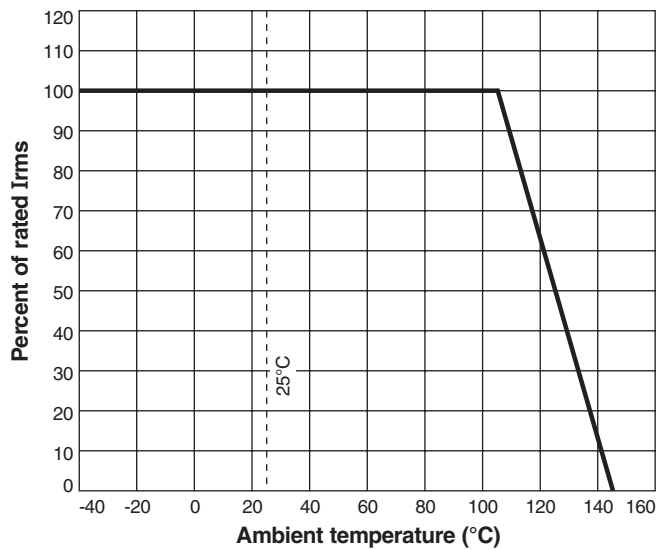
## Typical L vs Frequency



## Typical L vs Current



## Irms Derating



A	B	C	D	E	F	G	
max	max	max	ref	ref	ref		inches
0,231	0,196	0,150	0,107	0,100	0,178	0,025	
5,87	4,98	3,81	2,72	2,54	4,52	0,64	mm



Specifications subject to change without notice.  
Please check our website for latest information.

Document 252-2 Revised 09/19/07

1102 Silver Lake Road Cary, Illinois 60013 Phone 847/639-6400 Fax 847/639-1469

E-mail info@coilcraft.com Web http://www.coilcraft.com