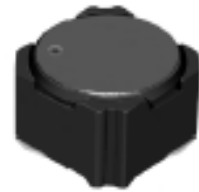
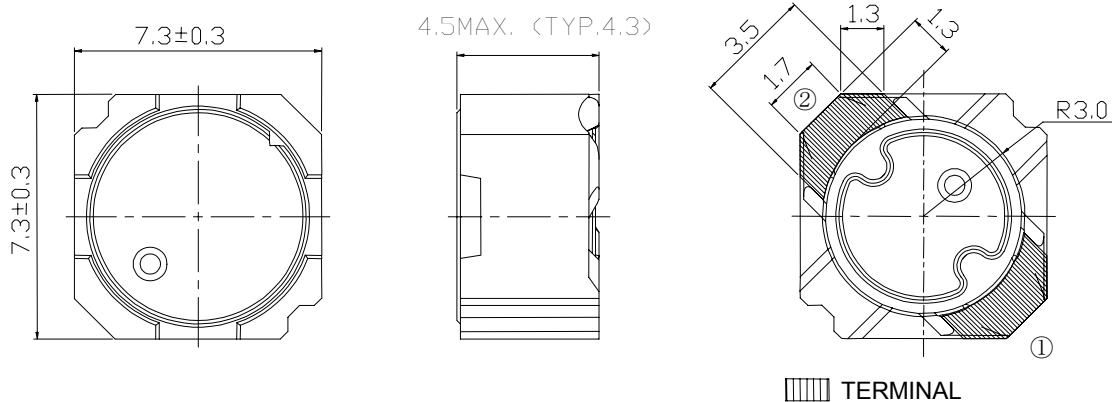
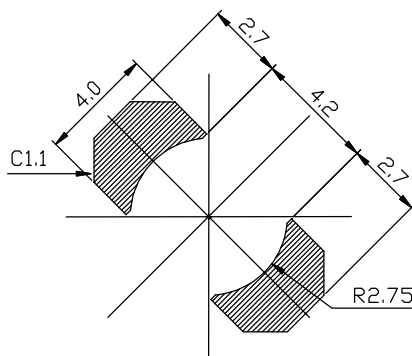


Type: CDR7D43MN
◆ Product Description

- 7.6×7.6mm Max.(L×W), 4.5mm Max. Height.
- Inductance Range: 3.7~100 μ H
- Rated current range: 0.55~4.3A
- In addition to the standard versions of inductors shown here, custom inductors are available to meet your exact requirements.


◆ Feature

- Magnetically shielded construction.
- Hybrid power inductors use Mn-Zn D.core & Ni-Zn R.core, used as general power inductors.
- Higher saturation current characteristics than that of Ni-Zn inductors.
- Usually used in LCD driver,DSC/DVC,Notebook PC or the other portable equipment,.
- RoHS Compliance.

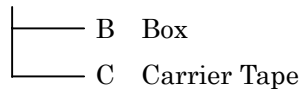
◆ Dimensions (mm)

◆ Land Pattern (mm)


Type: CDR7D43MN
◆ Specification

Part Name ※	Stamp	Inductance [Within] (100kHz/1V)	D.C.R.(mΩ) Max.(Typ.) (at 20°C)	Saturation Current (A) ※1		Temperature Rise Current (A) ※2
				(at20°C)	(at105°C)	
CDR7D43MNNP-3R7N□	3R7	3.7 μH±25%	18.9(15.1)	6.95	5.60	4.3
CDR7D43MNNP-4R7N□	4R7	4.7 μH±25%	21.4(17.1)	6.20	4.85	4.0
CDR7D43MNNP-5R8N□	5R8	5.8 μH±25%	24.0(19.1)	5.60	4.20	3.7
CDR7D43MNNP-7R2N□	7R2	7.2 μH±25%	33.9(27.2)	4.95	3.90	3.0
CDR7D43MNNP-100N□	100	10 μH±25%	48.4(38.7)	4.10	3.25	2.5
CDR7D43MNNP-120N□	120	12 μH±25%	56.8(45.4)	3.90	3.05	2.1
CDR7D43MNNP-150N□	150	15 μH±25%	80.4(64.3)	3.35	2.75	1.8
CDR7D43MNNP-180N□	180	18 μH±25%	93.6(74.9)	3.05	2.40	1.6
CDR7D43MNNP-220N□	220	22 μH±25%	106.4(85.1)	2.85	2.20	1.5
CDR7D43MNNP-270N□	270	27 μH±25%	143.6(114.9)	2.50	2.00	1.25
CDR7D43MNNP-330N□	330	33 μH±25%	160.0(127.7)	2.30	1.75	1.15
CDR7D43MNNP-390N□	390	39 μH±25%	175.0(140.0)	2.10	1.65	1.10
CDR7D43MNNP-470N□	470	47 μH±25%	247.0(197.6)	1.90	1.45	0.90
CDR7D43MNNP-560N□	560	56 μH±25%	266.3(213.0)	1.75	1.35	0.85
CDR7D43MNNP-680N□	680	68 μH±25%	363.8(291.1)	1.55	1.25	0.75
CDR7D43MNNP-820N□	820	82 μH±25%	401.4(321.1)	1.45	1.15	0.65
CDR7D43MNNP-101N□	101	100 μH±25%	455.8(364.6)	1.25	1.05	0.55

※ Description of part name

CDR7D43MNNP-3R7N□



※1. Saturation current: The DC current at which the inductance decreases to 65% of its nominal value.

※2. Temperature rise current: The DC current at which the temperature rise is Δt=40°C.(Ta=20°C).