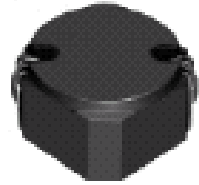
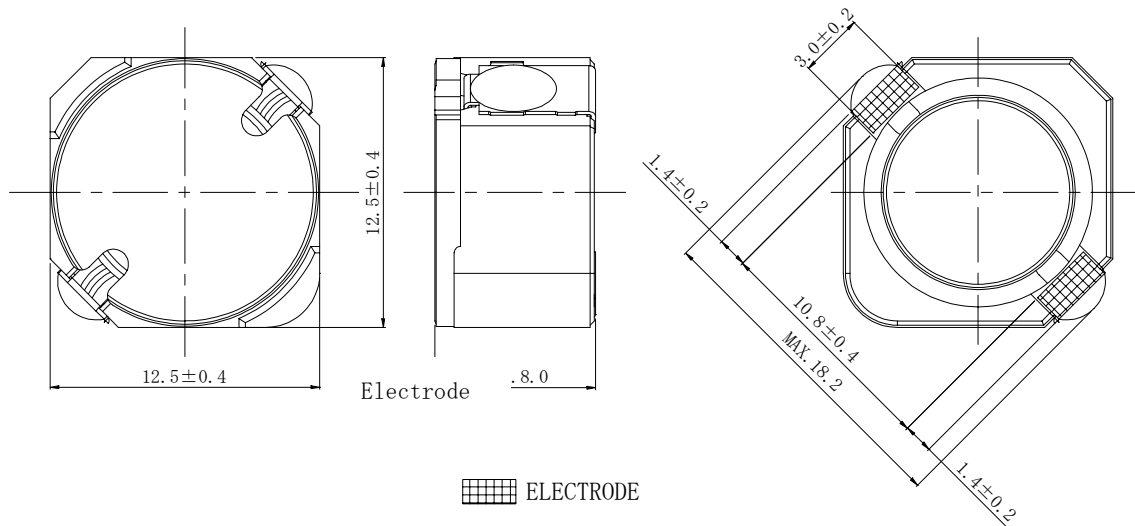
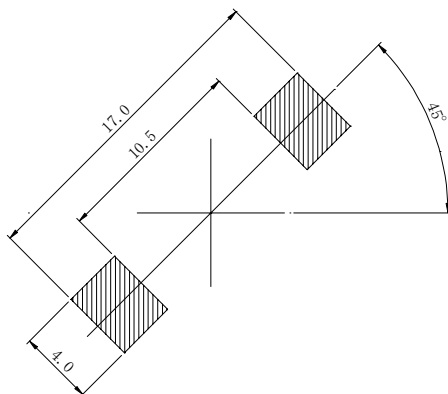


**Type: CDRH127C/A**
**◆ Product Description**

- 12.9×12.9mm Max. (L×W) , 8.0 mm Max. Height.
- Inductance Range: 10~470  $\mu$  H
- Rated current range: 0.7~4.6A.
- In addition to the standards versions shown here, custom inductors are also available to meet your exact requirements.


**◆ Feature**

- Magnetically shielded construction.
- High reliable inductors, suitable to use in high temperature environment(125°C).
- Ideally for automotive applications as converter inductors.
- RoHS Compliance.

**◆ Dimensions (mm)**

**◆ Land Pattern (mm)**


**Type: CDRH127C/A**
**◆ Specification**

Part Name ※	Stamp	Inductance ( $\mu$ H) [Within] 100kHz/1V	D.C.R.(m $\Omega$ ) Max.(Typ.) (at 20°C)	Rated Current (A).at 125°C ※1
CDRH127C/ANP-10 $\emptyset$ M□	100	10 $\pm$ 20%	16.8(13.4)	4.6
CDRH127C/ANP-12 $\emptyset$ M□	120	12 $\pm$ 20%	18.7(14.9)	4.3
CDRH127C/ANP-15 $\emptyset$ M□	150	15 $\pm$ 20%	20.5(16.4)	4.1
CDRH127C/ANP-18 $\emptyset$ M□	180	18 $\pm$ 20%	25.4(20.3)	3.5
CDRH127C/ANP-22 $\emptyset$ M□	220	22 $\pm$ 20%	30.0(23.8)	3.3
CDRH127C/ANP-27 $\emptyset$ M□	270	27 $\pm$ 20%	32.0(25.6)	3.2
CDRH127C/ANP-33 $\emptyset$ M□	330	33 $\pm$ 20%	46.0(36.8)	2.5
CDRH127C/ANP-39 $\emptyset$ M□	390	39 $\pm$ 20%	57.4(45.9)	2.2
CDRH127C/ANP-47 $\emptyset$ M□	470	47 $\pm$ 20%	64.7(51.7)	2.1
CDRH127C/ANP-56 $\emptyset$ M□	560	56 $\pm$ 20%	80.3(64.2)	1.9
CDRH127C/ANP-68 $\emptyset$ M□	680	68 $\pm$ 20%	88.2(70.5)	1.8
CDRH127C/ANP-82 $\emptyset$ M□	820	82 $\pm$ 20%	123.0(98.4)	1.55
CDRH127C/ANP-1 $\emptyset$ 1M□	101	100 $\pm$ 20%	139.4(111.5)	1.50
CDRH127C/ANP-121M□	121	120 $\pm$ 20%	174.9(139.9)	1.35
CDRH127C/ANP-151M□	151	150 $\pm$ 20%	200.6(160.5)	1.30
CDRH127C/ANP-181M□	181	180 $\pm$ 20%	218.9(175.1)	1.25
CDRH127C/ANP-221M□	221	220 $\pm$ 20%	315.3(252.2)	1.00
CDRH127C/ANP-271M□	271	270 $\pm$ 20%	354.4(283.5)	0.95
CDRH127C/ANP-331M□	331	330 $\pm$ 20%	501.5(401.2)	0.80
CDRH127C/ANP-391M□	391	390 $\pm$ 20%	554.4(443.5)	0.75
CDRH127C/ANP-471M□	471	470 $\pm$ 20%	620.1(496.1)	0.70

**\* Description of Part Name**

CDRH127C/ANP-10 $\emptyset$ M□

- B Box
- C Carrier Tape

※1 Rated current: The DC current at which the inductance decreases to 65% of it's nominal value or when  $\Delta t=30^{\circ}\text{C}$ , whichever is lower.