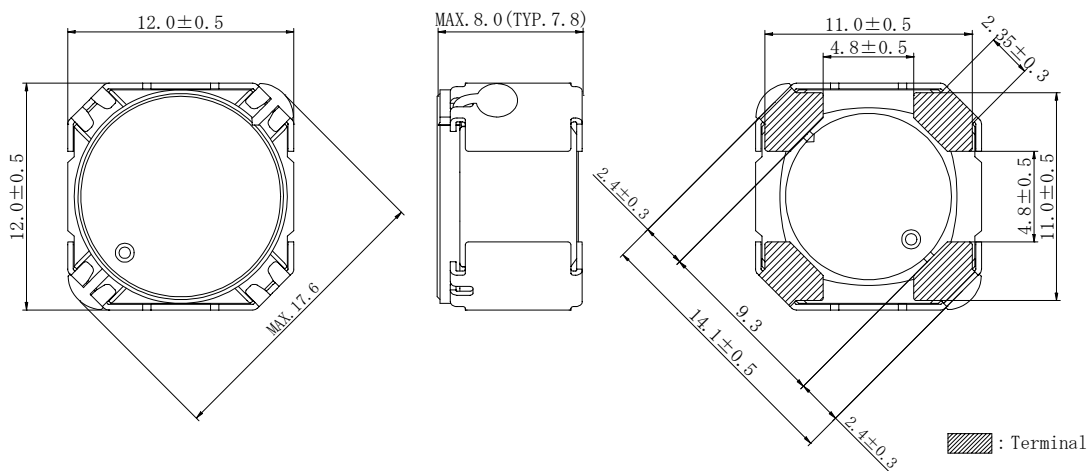
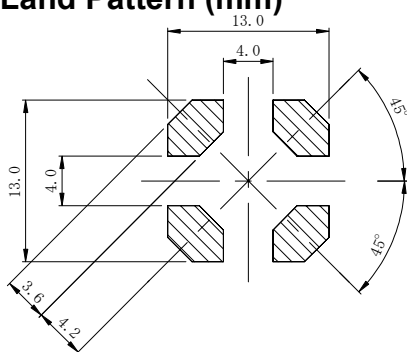
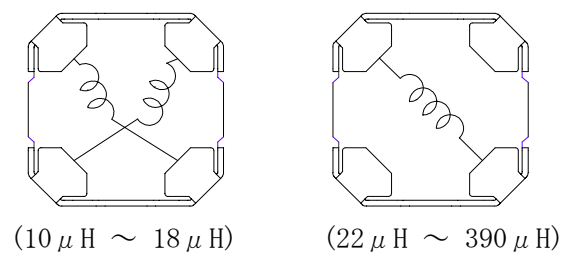


**Type: CDRH12D78/A**
**◆ Product Description**

- 12.5×12.5mm Max. (L×W) , 8.0 mm Max. Height.
- Inductance range: 10~390μH
- Rated current range: 0.66~4.2A.
- In addition to the standards versions shown here, custom inductors are also available to meet your exact requirements.


**◆ Feature**

- Magnetically shielded construction.
- High reliable inductors, suitable to use in high temperature environment(125°C).
- Ideally for automotive applications as converter inductors.
- RoHS Compliance.

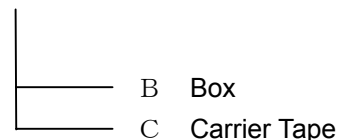
**◆ Dimensions (mm)**

**◆ Land Pattern (mm)**

**◆ Schematics(Bottom)**


**Type: CDRH12D78/A**
**◆ Specification**

Part Name ※	Stamp	Inductance [Within] 100kHz/1V	D.C.R.(mΩ) Max.(Typ.) (at 20°C)	Rated current (A)(at 125°C) ※1
CDRH12D78/ANP-100M□	100M	10 μ H±20%	22(17)	4.2
CDRH12D78/ANP-120M□	120M	12 μ H±20%	24(19)	4.0
CDRH12D78/ANP-150M□	150M	15 μ H±20%	27(21)	3.7
CDRH12D78/ANP-180M□	180M	18 μ H±20%	29(23)	3.4
CDRH12D78/ANP-220M□	220M	22 μ H±20%	44(35)	2.9
CDRH12D78/ANP-270M□	270M	27 μ H±20%	47(37)	2.7
CDRH12D78/ANP-330M□	330M	33 μ H±20%	64(51)	2.4
CDRH12D78/ANP-390M□	390M	39 μ H±20%	68(54)	2.3
CDRH12D78/ANP-470M□	470M	47 μ H±20%	75(60)	2.1
CDRH12D78/ANP-560M□	560M	56 μ H±20%	84(67)	1.9
CDRH12D78/ANP-680M□	680M	68 μ H±20%	97(77)	1.7
CDRH12D78/ANP-820M□	820M	82 μ H±20%	124(99)	1.6
CDRH12D78/ANP-101M□	101M	100 μ H±20%	152(121)	1.4
CDRH12D78/ANP-121M□	121M	120 μ H±20%	197(157)	1.3
CDRH12D78/ANP-151M□	151M	150 μ H±20%	249(199)	1.2
CDRH12D78/ANP-181M□	181M	180 μ H±20%	270(216)	1.1
CDRH12D78/ANP-221M□	221M	220 μ H±20%	308(246)	1.0
CDRH12D78/ANP-271M□	271M	270 μ H±20%	448(358)	0.86
CDRH12D78/ANP-331M□	331M	330 μ H±20%	579(463)	0.75
CDRH12D78/ANP-391M□	391M	390 μ H±20%	730(584)	0.66

**※ Description of part name**

C D R H 1 2 D 7 8 / A N P - 1 0 0 M □



※1 Rated current: The DC current at which the inductance decreases to 65 % of it's nominal value or when  $\Delta t=30^{\circ}\text{C}$ , whichever is lower ( $T_a=125^{\circ}\text{C}$ ).