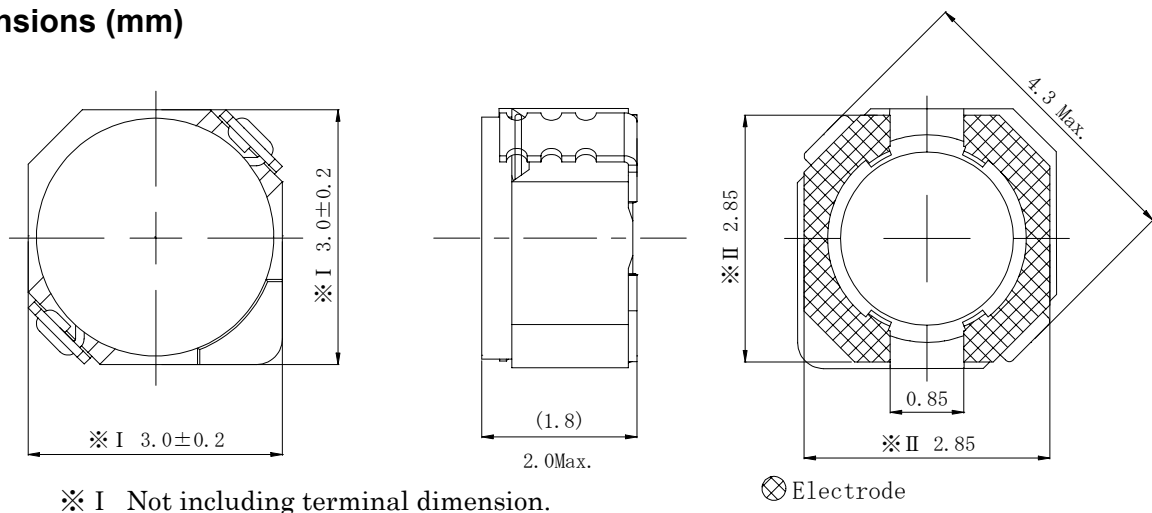
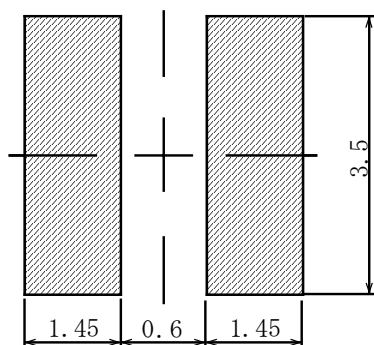


Type: CDRH30D18/S
◆ Product Description

- 3.2×3.2mm Max.(L×W),2.0mm Max. Height.
- Inductance Range: 0.8~47 μ H
- Rated current range:0.34-2.65A
- In addition to the standard versions of inductors shown here, custom inductors are available to meet your exact requirements.

◆ Feature

- Magnetically shielded construction.
- Ideally used in Mobilephone,PDA,MP3,DSC/DVC,Portable DVD,etc as DC-DC Converter inductors.
- Strong resistance against drop shock.
- RoHS Compliance.

◆ Dimensions (mm)

◆ Land Pattern (mm)


Type: CDRH30D18/S
◆ Specification

Part Name ※	Stamp	Inductance [Within] 100kHz/1V	D.C.R.(Ω) Max.(Typ.) (at 20°C)	Saturation Current (A) ※1		Temperature Rise current (A) ※2
				(at 20°C)	(at 105°C)	
CDRH30D18SNP-0R8N□	A	0.8 μH ± 25%	35.8m(28.6m)	2.80	2.20	2.65
CDRH30D18SNP-1R2N□	B	1.2 μH ± 25%	42.4m(33.9m)	2.30	1.80	2.30
CDRH30D18SNP-1R5N□	C	1.5 μH ± 25%	46.9m(37.5m)	2.10	1.60	2.20
CDRH30D18SNP-1R8N□	D	1.8 μH ± 25%	60.0m(48.0m)	1.90	1.45	1.85
CDRH30D18SNP-2R2N□	E	2.2 μH ± 25%	69.0m(55.2m)	1.80	1.40	1.70
CDRH30D18SNP-2R7N□	F	2.7 μH ± 25%	85.3m(68.2m)	1.50	1.20	1.50
CDRH30D18SNP-3R3N□	G	3.3 μH ± 25%	94.8m(75.8m)	1.45	1.10	1.40
CDRH30D18SNP-4R7N□	H	4.7 μH ± 25%	149m(119m)	1.15	0.90	1.15
CDRH30D18SNP-5R6N□	I	5.6 μH ± 25%	164m(131m)	1.05	0.80	1.10
CDRH30D18SNP-6R8N□	J	6.8 μH ± 25%	196m(157m)	0.95	0.72	1.00
CDRH30D18SNP-8R2N□	K	8.2 μH ± 25%	229m(183m)	0.90	0.70	0.85
CDRH30D18SNP-100N□	L	10.0 μH ± 25%	276m(221m)	0.82	0.62	0.76
CDRH30D18SNP-150N□	M	15.0 μH ± 25%	376m(301m)	0.65	0.50	0.68
CDRH30D18SNP-220N□	N	22.0 μH ± 25%	610m(488m)	0.55	0.42	0.48
CDRH30D18SNP-330N□	O	33.0 μH ± 25%	890m(712m)	0.45	0.35	0.42
CDRH30D18SNP-470N□	P	47.0 μH ± 25%	1.31(1.05)	0.38	0.29	0.34

※ Description of Part Name

CDRH30D18SNP-0R8N□

- B Box
- C Carrier Tape

※1.Saturation Current: The DC current at which the inductance decreases to 65% of it's nominal value

※2 Temperature rise current: The DC current at which the temperature rise is Δt=40°C.(Ta=20°C)