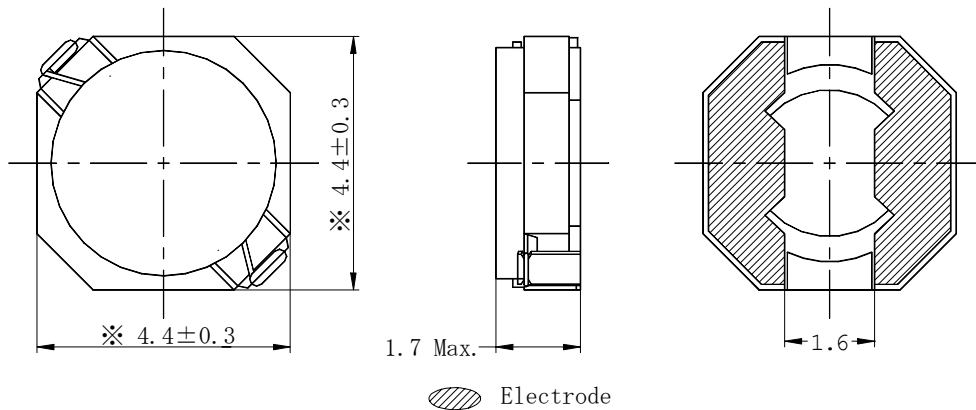
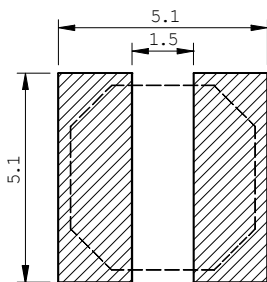


**Type: CDRH4D15/S**
**◆ Product Description**

- 4.7×4.7mm Max.(L×W), 1.7mm Max.Height.
- Inductance Range: 1.5~33  $\mu$  H.
- Rated current range:0.5~2.3A.
- In addition to the standards versions shown here, custom inductors are also available to meet your exact requirements.


**◆ Feature**

- Magnetically shielded construction.
- Ideally used in Mobilephone,PDA,MP3,DSC/DVC,etc as DC-DC Converter inductors.
- RoHS Compliance.

**◆ Dimensions (mm)**

**◆ Land Pattern (mm)**


**Type: CDRH4D15/S**
**◆ Specification**

Part Name ※	Stamp	Inductance ( $\mu$ H) [Within] 100kHz/1V	D.C.R.(m $\Omega$ ) Max.(Typ.) (at 20°C)	Saturation Current (A) ※1		Temperature Rise current (A) ※2
				(at 25°C)	(at 105°C)	
CDRH4D15/SNP-1R5N□	1R5	1.5 $\pm$ 30%	41 (33)	2.30	1.90	3.40
CDRH4D15/SNP-2R2N□	2R2	2.2 $\pm$ 30%	60 (48)	2.00	1.60	2.60
CDRH4D15/SNP-3R3N□	3R3	3.3 $\pm$ 30%	89 (71)	1.60	1.30	1.70
CDRH4D15/SNP-4R7N□	4R7	4.7 $\pm$ 30%	129 (103)	1.40	1.10	1.50
CDRH4D15/SNP-5R6N□	5R6	5.6 $\pm$ 30%	141 (113)	1.20	1.00	1.40
CDRH4D15/SNP-6R8N□	6R8	6.8 $\pm$ 30%	154 (123)	1.10	0.90	1.35
CDRH4D15/SNP-8R6N□	8R6	8.6 $\pm$ 30%	203 (162)	1.05	0.85	1.15
CDRH4D15/SNP-10 $\emptyset$ N□	100	10 $\pm$ 30%	215 (172)	0.90	0.75	1.10
CDRH4D15/SNP-12 $\emptyset$ N□	120	12 $\pm$ 30%	279 (223)	0.85	0.65	1.00
CDRH4D15/SNP-15 $\emptyset$ N□	150	15 $\pm$ 30%	391 (313)	0.80	0.60	0.85
CDRH4D15/SNP-22 $\emptyset$ N□	220	22 $\pm$ 30%	559 (447)	0.60	0.50	0.75
CDRH4D15/SNP-27 $\emptyset$ N□	270	27 $\pm$ 30%	600 (480)	0.55	0.45	0.70
CDRH4D15/SNP-33 $\emptyset$ N□	330	33 $\pm$ 30%	777 (622)	0.50	0.40	0.60

**※ Description of Part Name**

CDRH4D15/SNP-1R5N□

- B Box
- C Carrier Tape

※1.Saturation Current: The DC current at which the inductance decreases to 65% of it's nominal value

※2 Temperature rise current: The DC current at which the temperature rise is  $\Delta t=40^{\circ}\text{C}.$ ( $T_a=20^{\circ}\text{C}$ )