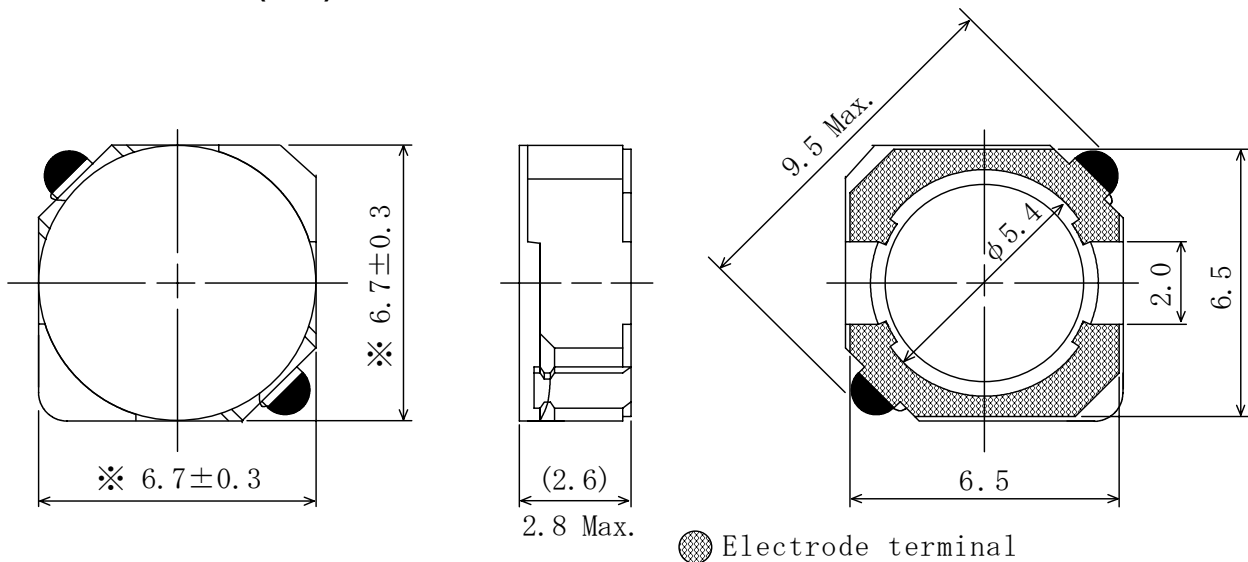
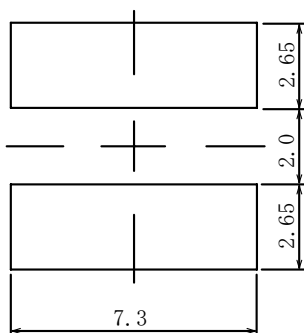


Type: CDRH6D26
◆ Product Description

- 7.0×7.0mm Max.(L×W) , 2.8mm Max. Height.
- Inductance range: 2.2~100 μ H
- Rated current range: 0.5~3.2A
- In addition to the standards versions shown here, custom inductors are also available to meet your exact requirements.


◆ Feature

- Magnetically shielded construction.
- Ideally used in Mobile phone, MP3, PDA, HDD, DSC/DVC, etc as DC-DC Converter inductors.
- RoHS Compliance.

◆ Dimensions (mm)

◆ Land Pattern (mm)


Type: CDRH6D26
◆ Specification

Part Name ※	Stamp	Inductance (μ H) [Within] 10kHz/1V	D.C.R.(Ω) Max.(Typ.) (at 20°C)	Rated Current (mA)※1
CDRH6D26NP-2R2N□	2R2	2.2±30%	22m(16.2m)	3200
CDRH6D26NP-2R9N□	2R9	2.9±30%	25m(18.7m)	2800
CDRH6D26NP-3R6N□	3R6	3.6±30%	29m(21.3m)	2500
CDRH6D26NP-5R0N□	5R0	5.0±30%	32m(23.4m)	2200
CDRH6D26NP-5R6N□	5R6	5.6±30%	36m(26.5m)	2000
CDRH6D26NP-6R8N□	6R8	6.8±30%	54m(40.0m)	1800
CDRH6D26NP-8R0N□	8R0	8.0±30%	60m(44.0m)	1600
CDRH6D26NP-100N□	100	10±30%	71m(52.8m)	1500
CDRH6D26NP-120N□	120	12±30%	78m(57.4m)	1300
CDRH6D26NP-150N□	150	15±30%	106m(78.6m)	1200
CDRH6D26NP-180N□	180	18±30%	114m(84.2m)	1100
CDRH6D26NP-220N□	220	22±30%	129m(95.4m)	1000
CDRH6D26NP-270N□	270	27±30%	185m(136.6m)	900
CDRH6D26NP-330N□	330	33±30%	203m(150.2m)	800
CDRH6D26NP-390N□	390	39±30%	223m(165.2m)	750
CDRH6D26NP-470N□	470	47±30%	300m(221.6m)	700
CDRH6D26NP-560N□	560	56±30%	340m(251.4m)	650
CDRH6D26NP-680N□	680	68±30%	375m(278.4m)	580
CDRH6D26NP-820N□	820	82±30%	490m(364.0m)	530
CDRH6D26NP-101N□	101	100±30%	560m(414.8m)	500

※ Description of part No.

CDRH6D26NP-2R2N□

	B	Box
	C	Carrier Tane

※1 Rated current: The DC current at which the inductance decreases to 65% of it's nominal value or when $\Delta t=30^{\circ}\text{C}$, whichever is lower($T_a=20^{\circ}\text{C}$).