

Features

- Maximum height of 6.7 mm
- Current up to 5.5 A
- Lead free
- RoHS compliant*

Applications

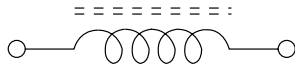
- Input/output of DC/DC converters
- Power supplies for:
 - Portable communication equipment
 - Camcorders
 - LCD TVs
 - Car radios

SRU1063 Series - Shielded SMD Power Inductors

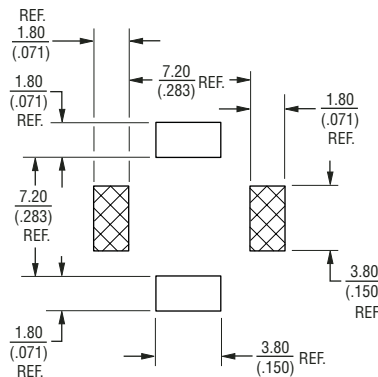
Electrical Specifications

Bourns Part No.	Inductance 100 KHz		Q Ref.	Test Frequency (MHz)	SRF Typ. (MHz)	RDC Max. (mΩ)	I rms Max. (A)	I sat Typ. (A)
	(μH)	Tol. %						
SRU1063-4R7Y	4.7	± 30	11	7.96	30	14	5.50	5.70
SRU1063-100Y	10	± 30	14	2.52	18	38	3.80	4.00
SRU1063-150Y	15	± 30	12	2.52	14	42	3.20	3.40
SRU1063-220Y	22	± 30	15	2.52	10	60	3.00	3.20
SRU1063-330Y	33	± 30	12	2.52	8	105	2.20	2.40
SRU1063-470Y	47	± 30	10	2.52	6	150	1.40	1.60
SRU1063-680Y	68	± 30	8	2.52	5	210	1.20	1.35
SRU1063-101Y	100	± 30	12	2.52	4	320	1.10	1.20

Electrical Schematic



Recommended Layout



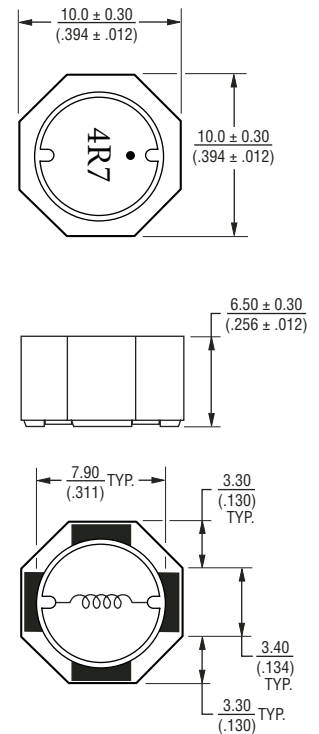
General Specifications

Test Voltage.....0.1 V
 Reflow Soldering ...230 °C, 50 sec. max.
 Operating Temperature ..-40 °C to +125 °C
 (Temperature rise included)
 Storage Temperature...-40 °C to +125 °C
 Resistance to Soldering Heat
260 °C for 10 sec.

Materials

Core.....Ferrite DR and RI core
 WireEnamelled copper
 TerminalAg/Ni/Sn
 Rated Current
Ind. drop 35 % typ. at Isat
 Temperature Rise
40 °C max. at rated I rms
 Packaging.....500 pcs. per reel

Product Dimensions



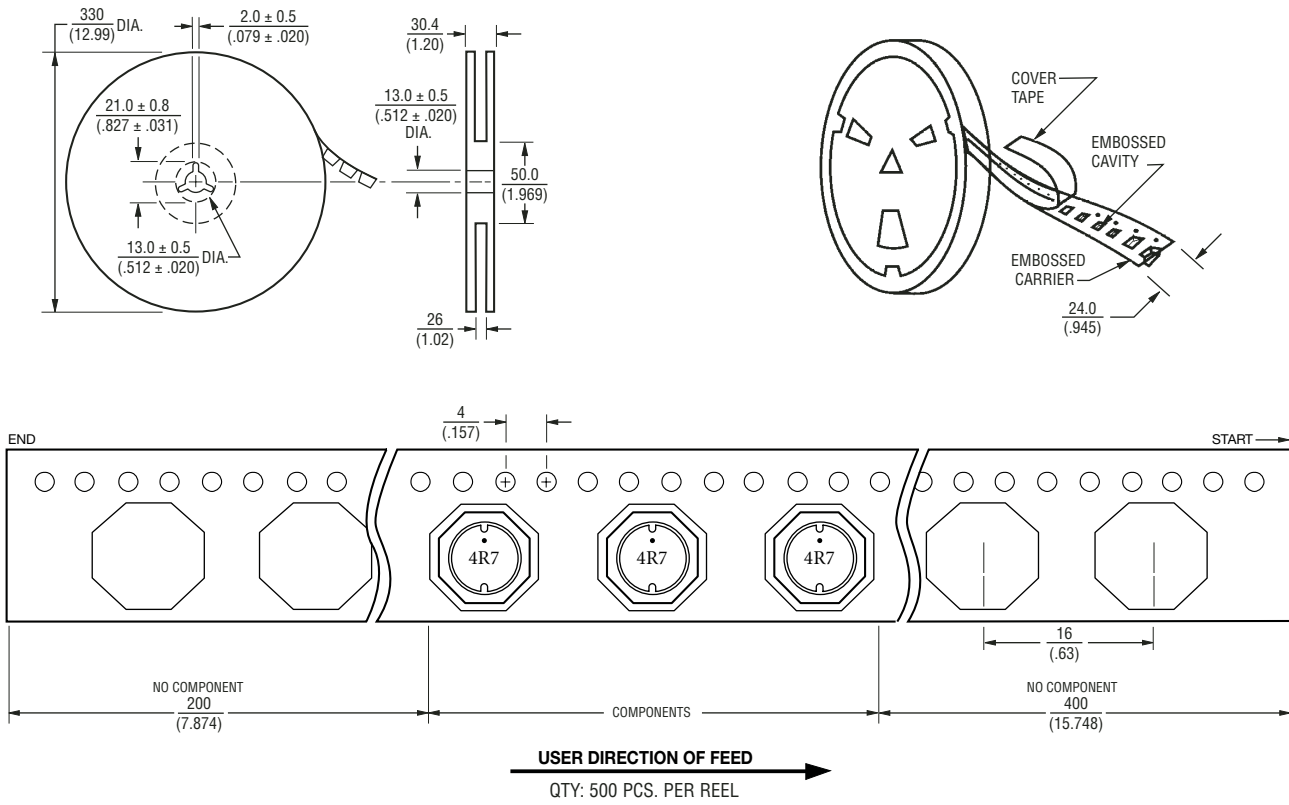
DIMENSIONS: $\frac{\text{MM}}{\text{(INCHES)}}$

*RoHS Directive 2002/95/EC Jan 27 2003 including Annex
 Specifications are subject to change without notice.
 Customers should verify actual device performance in their specific applications.

SRU1063 Series - Shielded SMD Power Inductors

BOURNS®

Packaging Specifications



DIMENSIONS: $\frac{\text{MM}}{\text{(INCHES)}}$