



### Features

- Maximum height of 1.8 mm
- Current up to 2.2 A
- Lead free
- RoHS compliant\*

### Applications

- Input/output of DC/DC converters
- Power supplies for:
  - Portable communication equipment
  - Camcorders
  - LCD TVs
  - Car radios

## SRU2016 Series - Shielded SMD Power Inductors

### Electrical Specifications

Bourns Part No.	Inductance 100 KHz		Q Ref.	Test Frequency (MHz)	SRF Typ. (MHz)	RDC Max. (mΩ)	I rms Max. (A)	I sat Typ. (A)	Marking
	(μH)	Tol. %							
SRU2016-1R0Y	1.0	± 30	8	7.96	250	60	2.20	1.60	A
SRU2016-2R2Y	2.2	± 30	8	7.96	120	105	1.60	1.00	C
SRU2016-3R0Y	3.0	± 30	8	7.96	90	135	1.50	0.87	E
SRU2016-4R7Y	4.7	± 30	8	7.96	80	215	1.15	0.74	F
SRU2016-6R0Y	6.0	± 30	9	7.96	70	250	0.90	0.63	G
SRU2016-100Y	10	± 30	9	2.52	45	430	0.87	0.52	H
SRU2016-150Y	15	± 30	10	2.52	40	650	0.60	0.40	I
SRU2016-220Y	22	± 30	12	2.52	30	990	0.43	0.37	J
SRU2016-330Y	33	± 30	12	2.52	20	1470	0.41	0.29	K
SRU2016-470Y	47	± 30	15	2.52	20	1650	0.31	0.22	L
SRU2016-680Y	68	± 30	18	2.52	15	3510	0.22	0.17	M
SRU2016-101Y	100	± 30	8	2.52	10	4900	0.19	0.15	N

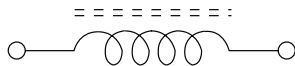
### General Specifications

Test Voltage.....0.1 V  
 Reflow Soldering ...230 °C, 50 sec. max.  
 Operating Temperature ..-40 °C to +125 °C  
 (Temperature rise included)  
 Storage Temperature...-40 °C to +125 °C  
 Resistance to Soldering Heat  
 .....260 °C for 10 sec.

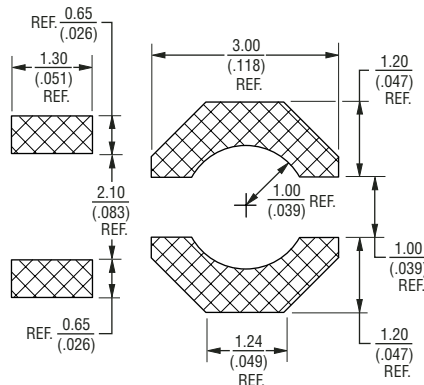
### Materials

Core.....Ferrite DR and RI core  
 Wire .....Enameled copper  
 Terminal .....Ag/Ni/Sn  
 Rated Current  
 .....Ind. drop 35 % typ. at Isat  
 Temperature Rise  
 .....40 °C max. at rated I rms  
 Packaging.....1,000 pcs. per reel

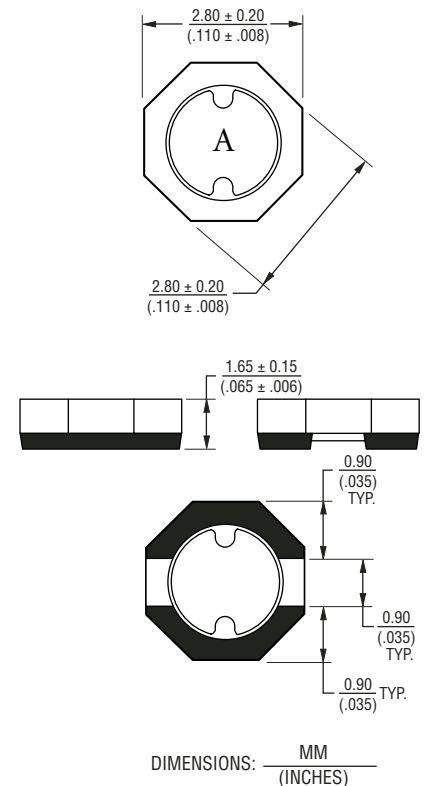
### Electrical Schematic



### Recommended Layout



### Product Dimensions

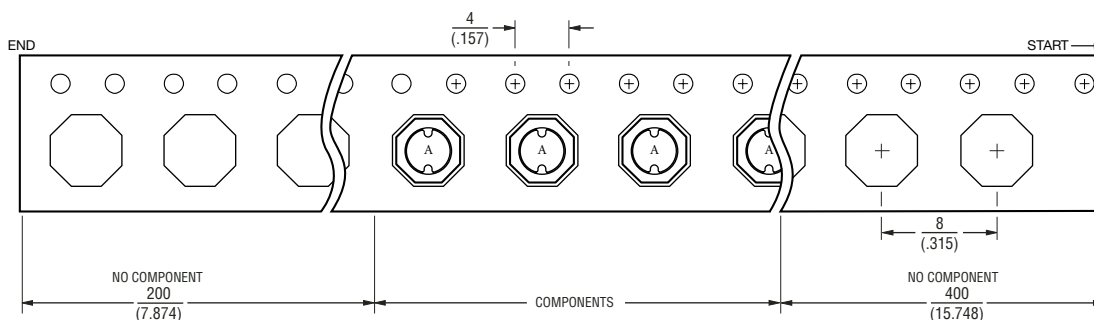
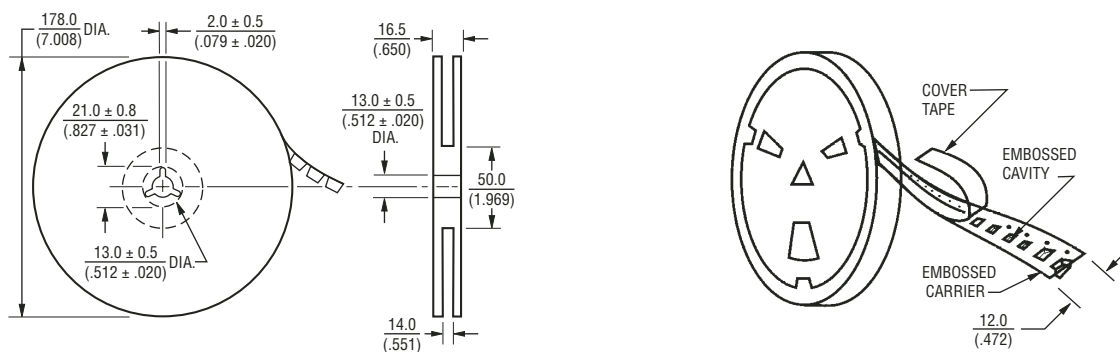


\*RoHS Directive 2002/95/EC Jan 27 2003 including Annex  
 Specifications are subject to change without notice.  
 Customers should verify actual device performance in their specific applications.

# SRU2016 Series - Shielded SMD Power Inductors



## Packaging Specifications



**USER DIRECTION OF FEED** →

QTY: 1,000 PCS. PER REEL

DIMENSIONS:  $\frac{\text{MM}}{\text{(INCHES)}}$