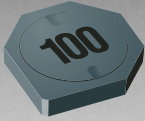


*RoHS COMPLIANT



BOURNS®

Features

- Available in E6 series
- Unit height of 1.8 mm
- Current up to 1.7 A
- Lead free
- RoHS compliant*

Applications

- Input/output of DC/DC converters
- Power supplies for:
 - Portable communication equipment
 - Camcorders
 - LCD TVs
 - Car radios

SRU3017 Series - Shielded SMD Power Inductors

Electrical Specifications

Bourns Part No.	Inductance 100 KHz		Q Ref.	Test Frequency (MHz)	SRF Typ. (MHz)	RDC (mΩ)	I rms Max. (A)	I sat Typ. (A)
	(μH)	Tol. %						
SRU3017-2R2Y	2.2	± 30	8	7.96	100	35	0.98	1.70
SRU3017-3R3Y	3.3	± 30	8	7.96	80	55	0.80	1.45
SRU3017-4R7Y	4.7	± 30	10	7.96	60	68	0.63	1.10
SRU3017-6R8Y	6.8	± 30	10	7.96	50	85	0.53	1.00
SRU3017-100Y	10.0	± 30	15	7.96	40	120	0.47	0.85
SRU3017-150Y	15.0	± 30	20	2.52	35	175	0.35	0.68
SRU3017-220Y	22.0	± 30	20	2.52	30	250	0.30	0.60
SRU3017-330Y	33.0	± 30	20	2.52	20	430	0.25	0.47
SRU3017-470Y	47.0	± 30	18	2.52	18	540	0.21	0.36

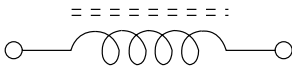
General Specifications

Test Voltage.....0.1 V
 Reflow Soldering ...230 °C, 50 sec. max.
 Operating Temperature .-40 °C to +125 °C
 (Temperature rise included)
 Storage Temperature..-40 °C to +125 °C
 Resistance to Soldering Heat
260 °C for 10 sec.

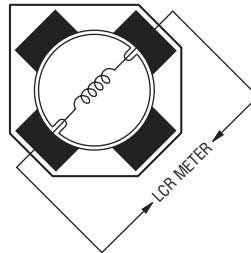
Materials

Core.....Ferrite DR and RI core
 Wire.....Enamelled copper (Class F)
 TerminalAg/Ni/Sn
 Rated Current
Ind. drop 35 % typ. at Isat
 Temperature Rise
30 °C max. at rated I rms
 Packaging.....800 pcs. per reel

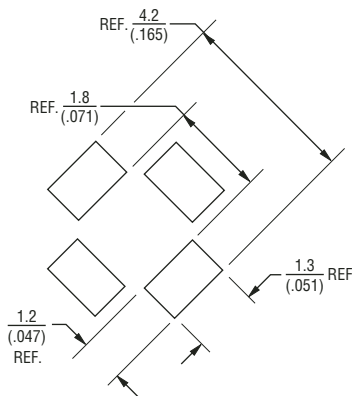
Electrical Schematic



Inductor Connection

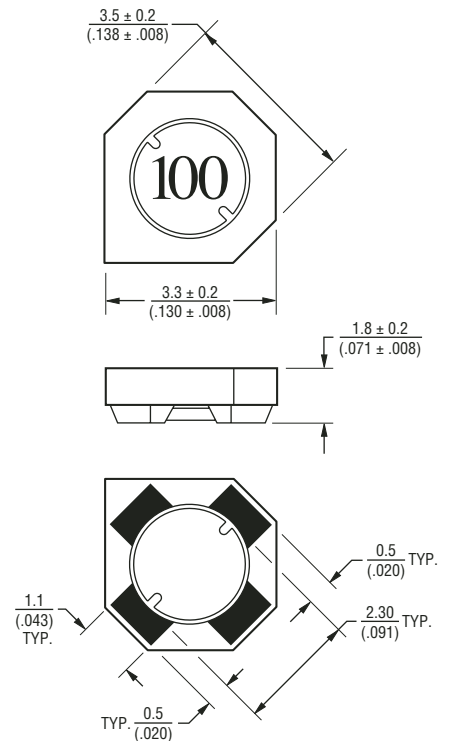


Recommended Layout



DIMENSIONS: $\frac{\text{MM}}{\text{(INCHES)}}$

Product Dimensions

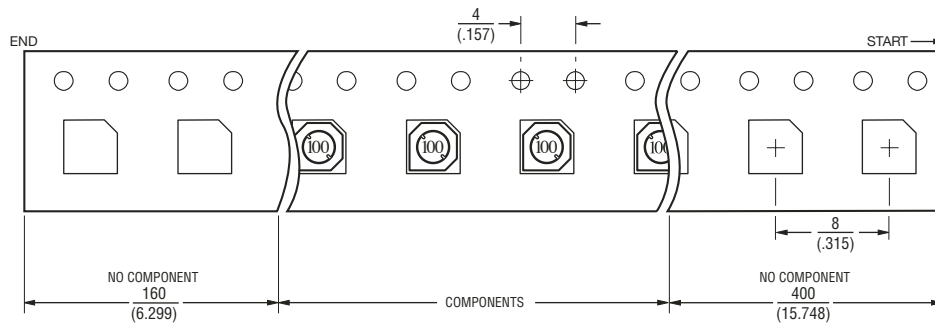
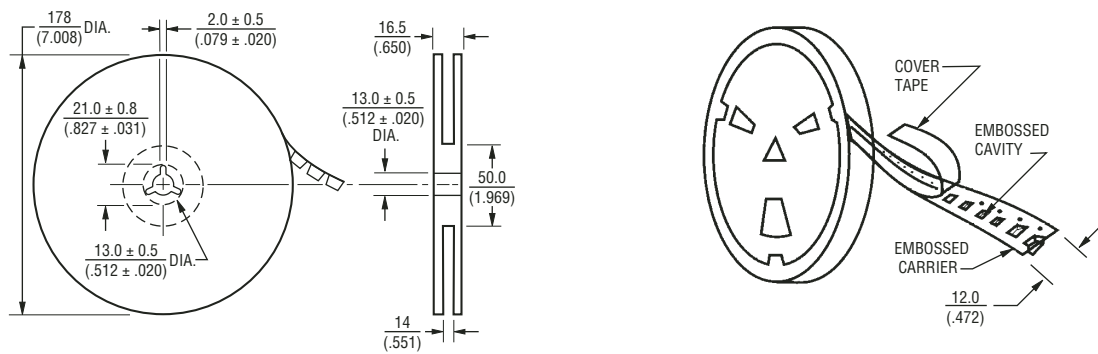


*RoHS Directive 2002/95/EC Jan 27 2003 including Annex
 Specifications are subject to change without notice.
 Customers should verify actual device performance in their specific applications.

SRU3017 Series - Shielded SMD Power Inductors

BOURNS®

Packaging Specifications



USER DIRECTION OF FEED →

QTY: 800 PCS. PER REEL

DIMENSIONS: $\frac{\text{MM}}{\text{(INCHES)}}$

REV. 09/07

Specifications are subject to change without notice.
Customers should verify actual device performance in their specific applications.