



Features

- Maximum height of 2.80 mm
- Current up to 4.0 A
- Lead free
- RoHS compliant*

Applications

- Input/output of DC/DC converters
- Power supplies for:
 - Portable communication equipment
 - Camcorders
 - LCD TVs
 - Car radios

SRU6025 Series - Shielded SMD Power Inductors

Electrical Specifications

Bourns Part No.	Inductance 100 KHz		Q Ref.	Test Frequency (MHz)	SRF Typ. (MHz)	RDC Max. (mΩ)	I rms Max. (A)	I sat Typ. (A)
	(μH)	Tol. %						
SRU6025-1R2Y	1.2	± 30	8	7.96	120	19	4.00	3.20
SRU6025-2R2Y	2.2	± 30	8	7.96	65	24	3.40	2.35
SRU6025-3R3Y	3.3	± 30	8	7.96	50	27	3.20	2.00
SRU6025-4R7Y	4.7	± 30	8	7.96	42	35	2.70	1.55
SRU6025-6R8Y	6.8	± 30	8	7.96	36	42	2.40	1.30
SRU6025-8R2Y	8.2	± 30	8	7.96	30	52	2.20	1.25
SRU6025-100Y	10	± 30	8	7.96	25	57	2.00	1.05
SRU6025-150Y	15	± 30	12	2.52	22	86	1.80	0.92
SRU6025-220Y	22	± 30	12	2.52	18	130	1.60	0.70
SRU6025-330Y	33	± 30	12	2.52	12	180	1.20	0.64
SRU6025-470Y	47	± 30	12	2.52	10	250	1.00	0.48
SRU6025-680Y	68	± 30	10	2.52	8	365	0.80	0.40
SRU6025-101Y	100	± 30	24	2.52	7	500	0.70	0.35
SRU6025-151Y	150	± 30	30	2.52	5	770	0.54	0.28
SRU6025-221Y	220	± 30	20	2.52	4	1250	0.42	0.24

General Specifications

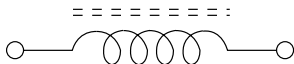
Test Voltage0.1 V
 Reflow Soldering ...230 °C, 50 sec. max.
 Operating Temperature ..-40 °C to +125 °C
 (Temperature rise included)
 Storage Temperature..-40 °C to +125 °C
 Resistance to Soldering Heat
260 °C for 10 sec.

Materials

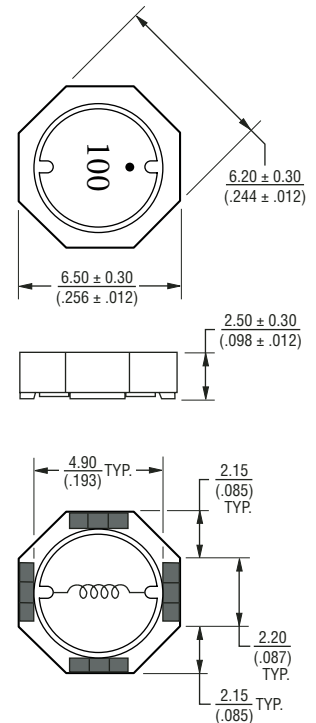
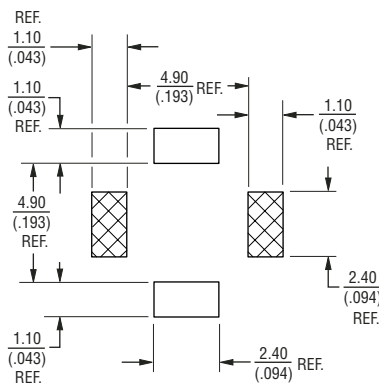
Core.....Ferrite DR and RI core
 WireEnameled copper
 TerminalAg/Ni/Sn
 Rated Current
Ind. drop 35 % typ. at Isat
 Temperature Rise
30 °C max. at rated I rms
 Packaging.....600 pcs. per reel

Product Dimensions

Electrical Schematic



Recommended Layout



DIMENSIONS: $\frac{\text{MM}}{\text{(INCHES)}}$

*RoHS Directive 2002/95/EC Jan 27 2003 including Annex
 Specifications are subject to change without notice.
 Customers should verify actual device performance in their specific applications.

